

Discovery Passage 22 Landing Craft  
 Design C027  
 Study Plan

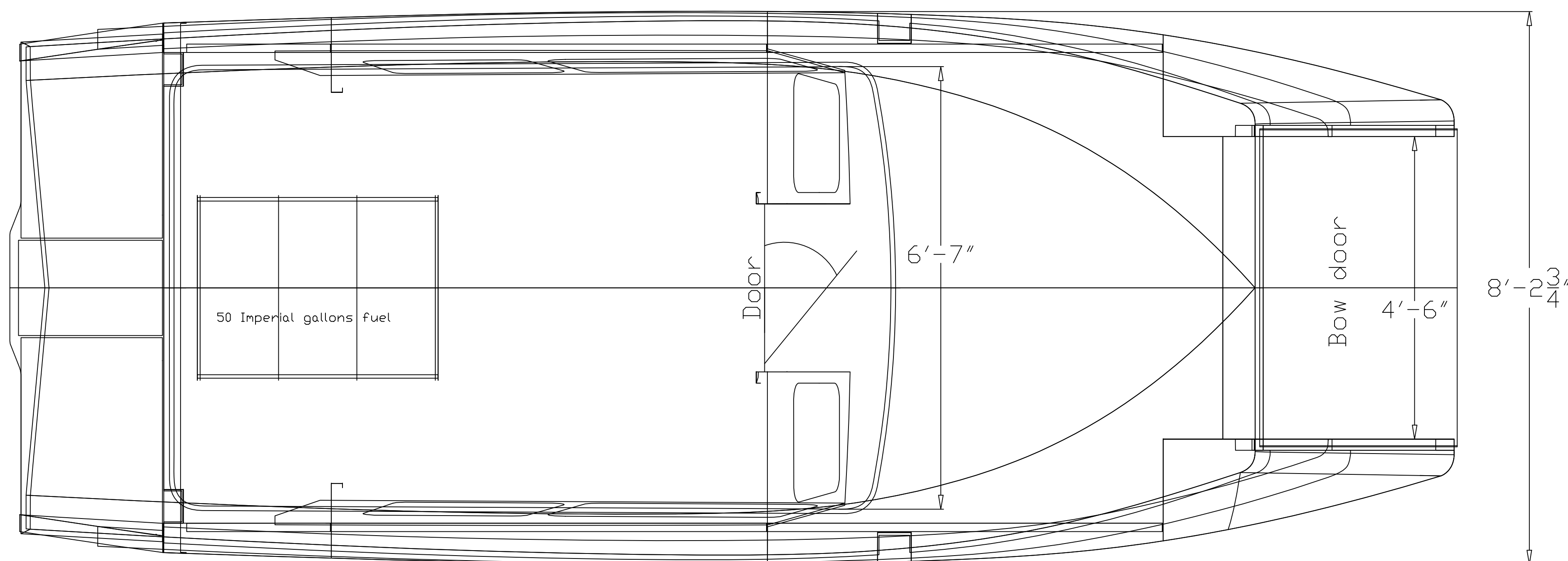
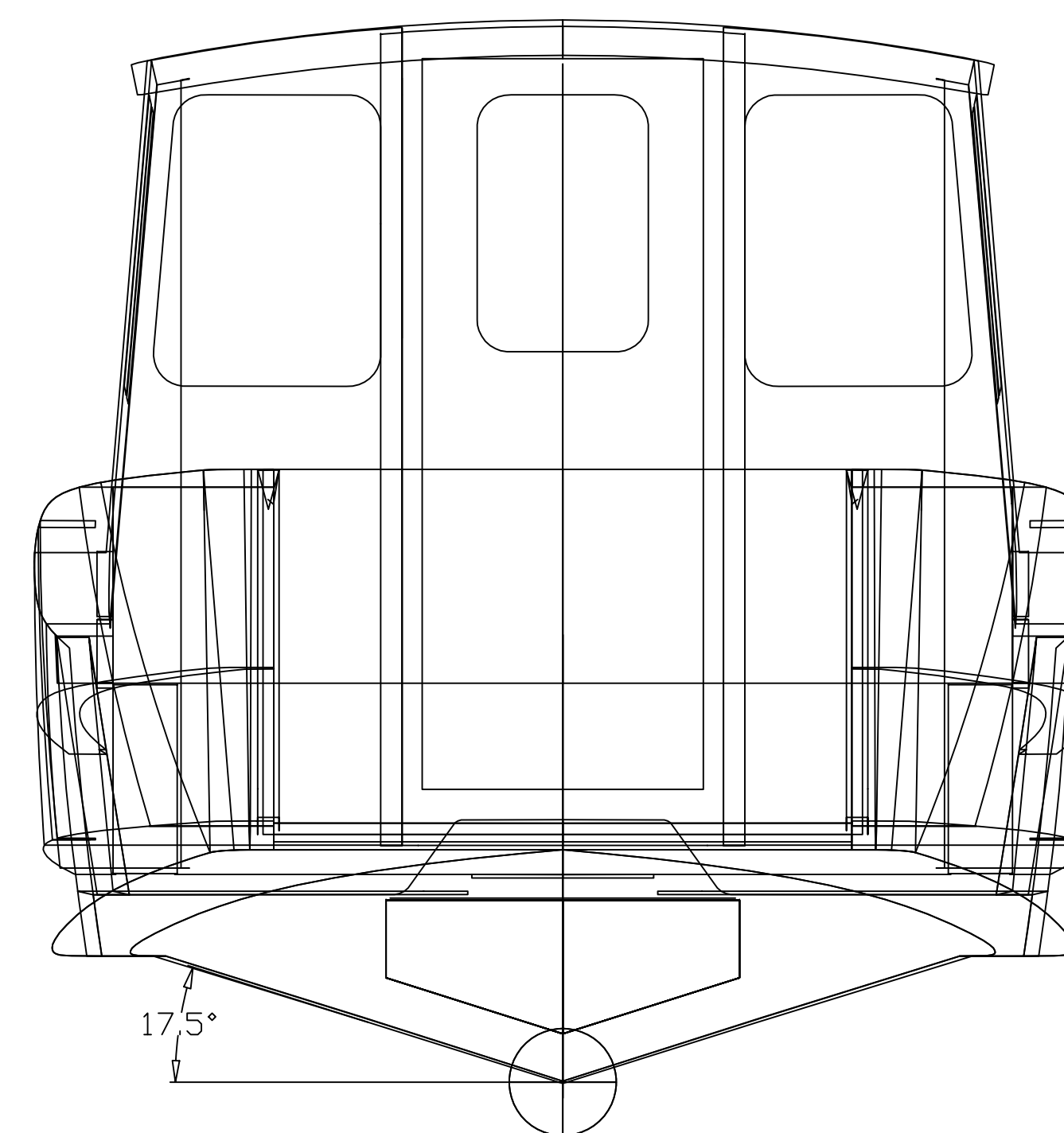
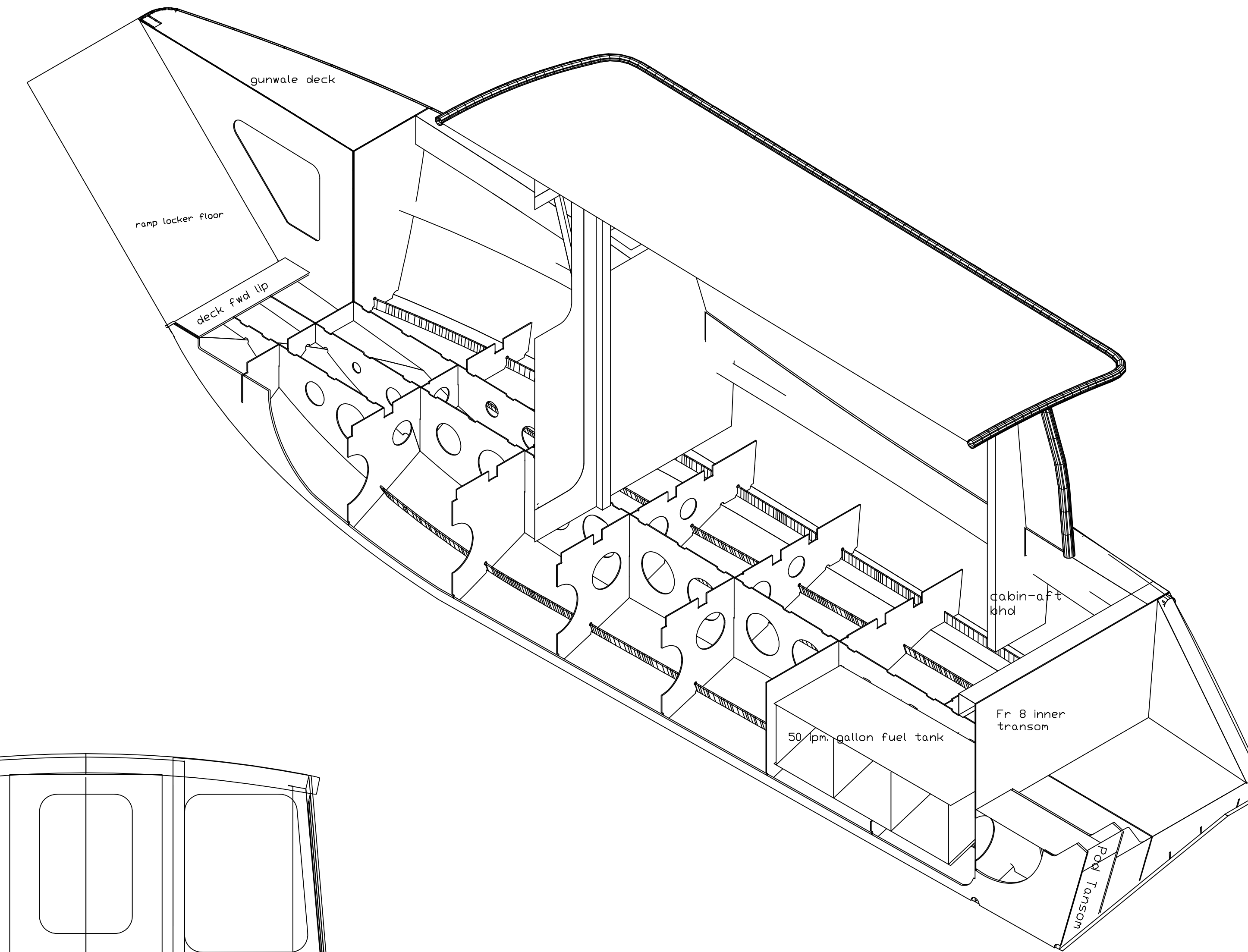
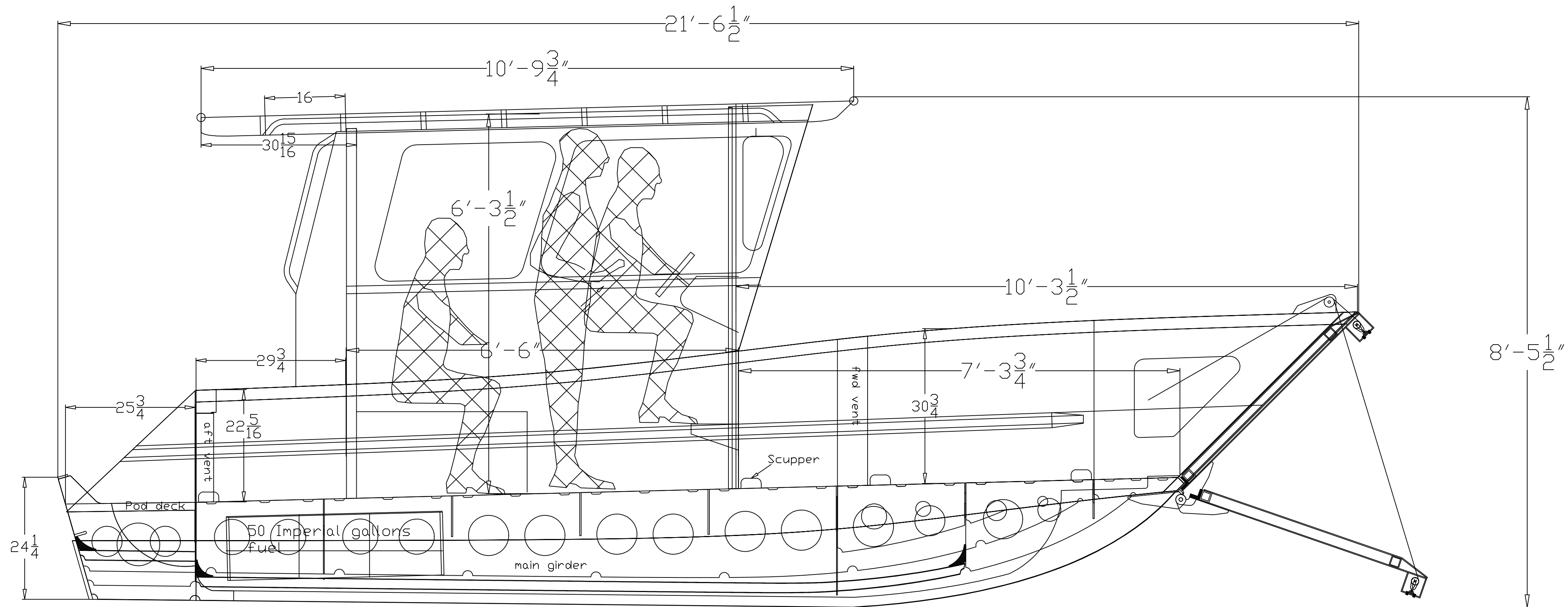
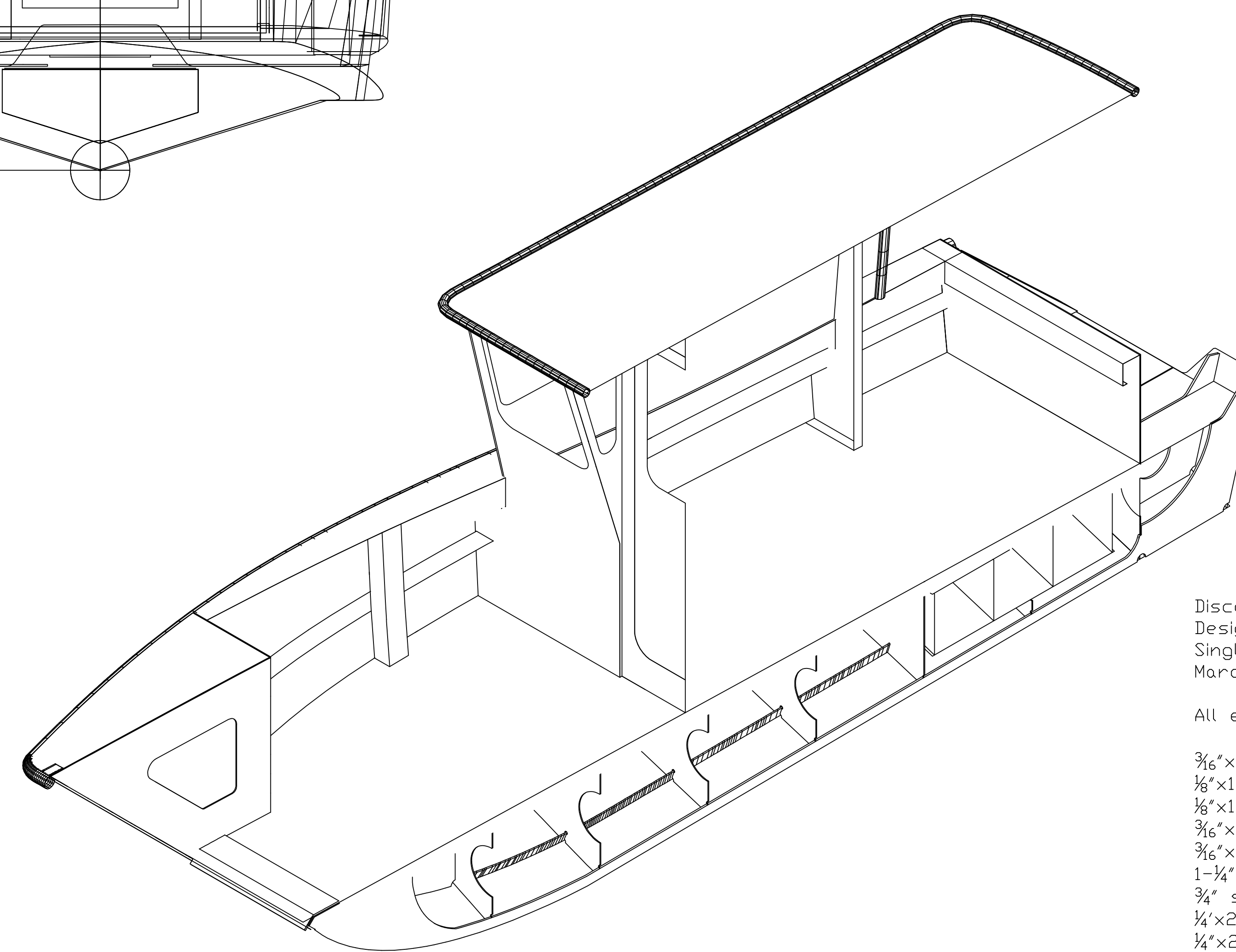


Plate List  
 Discovery Passage 22 Landing Craft  
 Design C027  
 Single Engine  
 March 18-2010

- 3/8" plate  
1 plate 3/8"x4ft x10ft--5086 H116
  - 1/4" sheet  
2 sheets 1/4"x4ft x20ft 5086 H116  
1 sheet 1/4"x5ftx20ft 5086 H116
  - 3/16" sheet-5086 H116  
2 sheets 3/16"x4ftx25ft 5086 H116  
1 sheet 3/16"x5ftx20ft 5086 H116  
1 sheet 3/16"x4ft x 20ft 5086 H116  
1 sheet 3/16" x4ft x 10ft 5086 H116
  - 3/16" sheet 5052 H32  
1 sheet 3/16"x5ftx20ft 5052 H32  
3 sheets 3/16"x4ftx20ft 5052 H32  
1 sheet 3/16"x4ftx10ft 5052 H32
  - 1/8" sheet  
1 sheet 1/8"x6ftx20ft 5052 H32  
1 sheet 1/8"x8ftx20ft 5086 H116
- There is a total of 16 sheets



Extrusion List

Discovery Passage 22 Landing Craft  
 Design C027  
 Single Engine  
 March 10-2010

All extrusions are 20ft lengths.

- 3/16"x2"x2" 6061 T6 square tube--7 lengths
- 1/8"x1-1/2"x1-1/2" 6061 T6 square tube round corners--1 length
- 1/8"x1"x1" 6061 T6 square tube-round corners--3 lengths
- 3/16"x2"x2" 6061 T6 angle bar--2 lengths
- 3/16"x2-1/2"x1-1/2" 6061 T6-anglebar--2 lengths
- 1-1/4" sched 40 6063 T5 pipe--2 lengths
- 3/4" sched 40 6063 T5 pipe--2 lengths
- 1/2"x2"x2" 6063 T5 channel--1 length
- 1/2"x2"x2" 6061 T6 "T" bar--1 length
- 2" sched 40--6061 T6 half pipe--2 lengths
- Hull stiffener--2 lengths

Cope Discovery Passage 22  
 21ft 6in. Landing Craft  
 Design C027  
 Length-----21'-6"  
 Beam-----8'-6" with gunwale pipe.  
 Bow door width-----54"  
 Displacement-Lightship-----3,670 lbs  
 Displacement-Full Fuel, 4 people-no cargo-4,600 lbs  
 Dwt-----17ft 8"  
 Power-----single outboard to 225 HP  
 Designed by A.B.COPE LTD.  
 Designer-Bruce Cope  
 March 12-2010