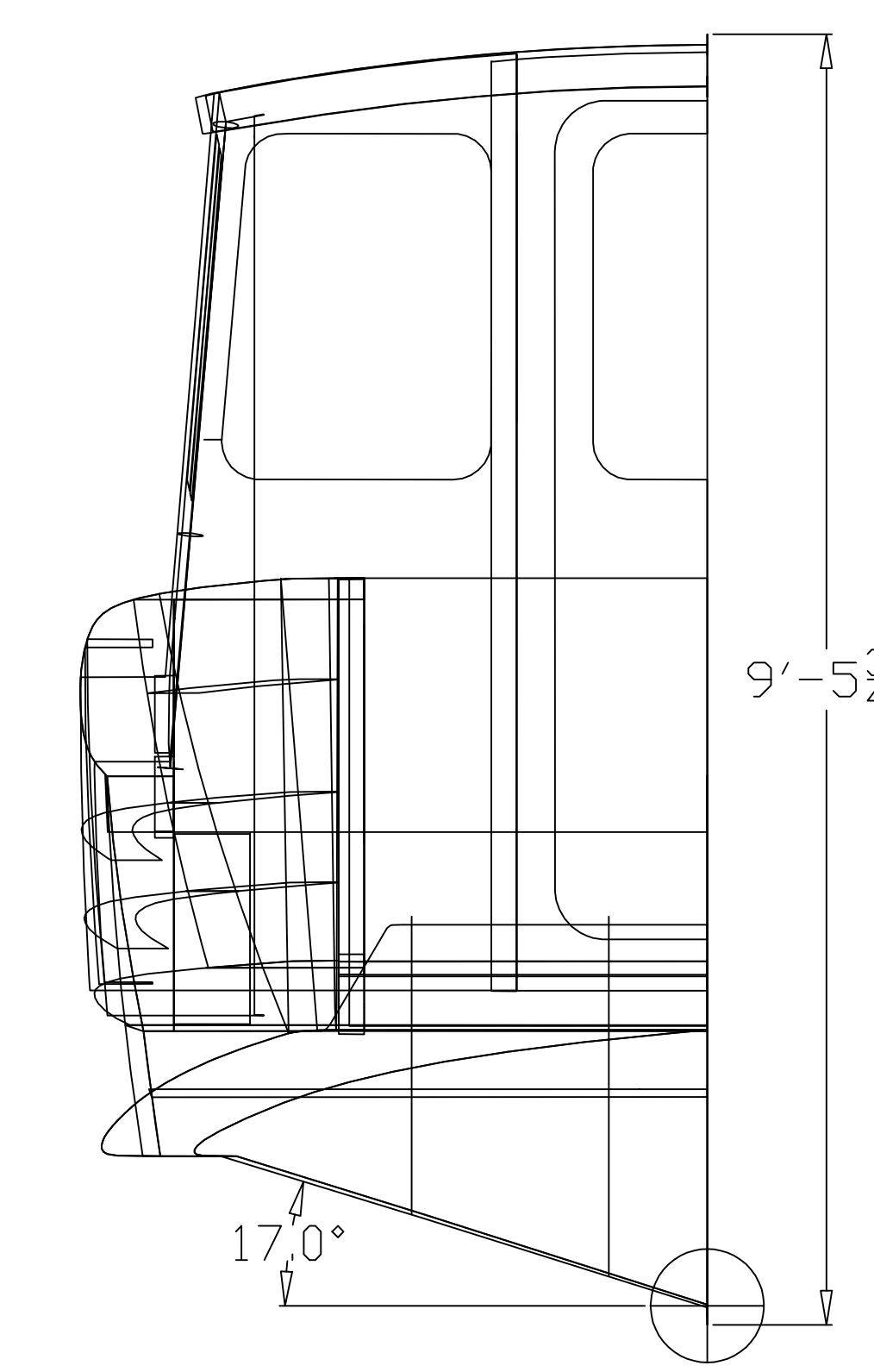
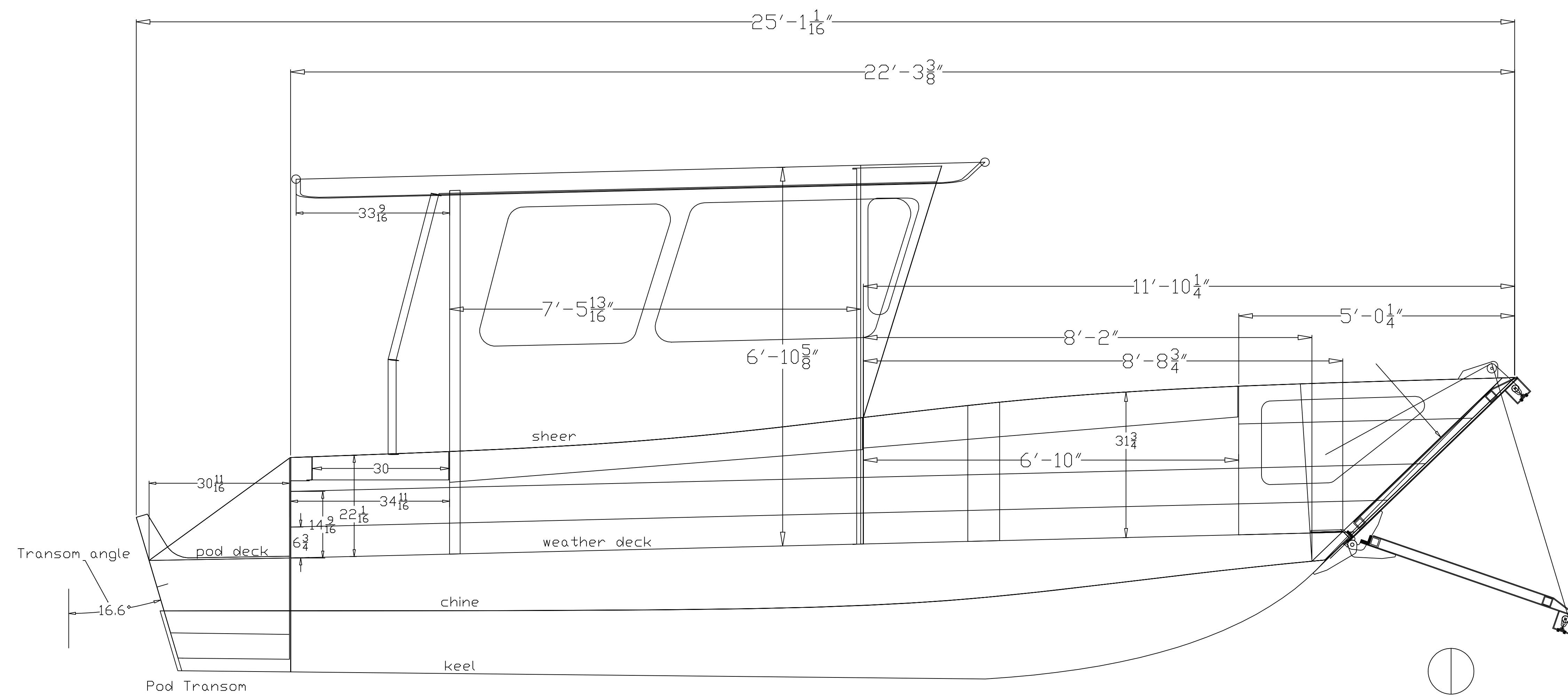
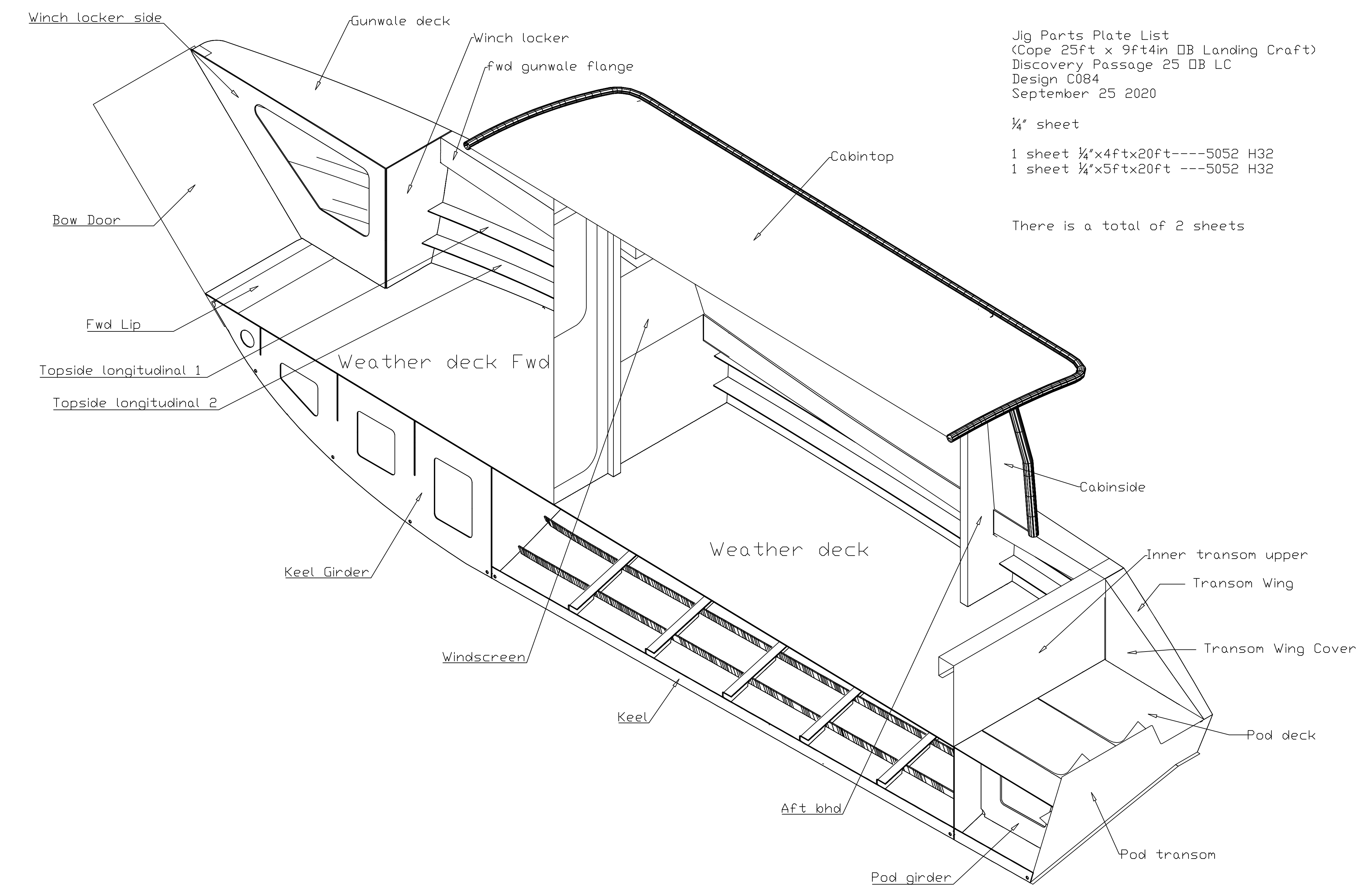
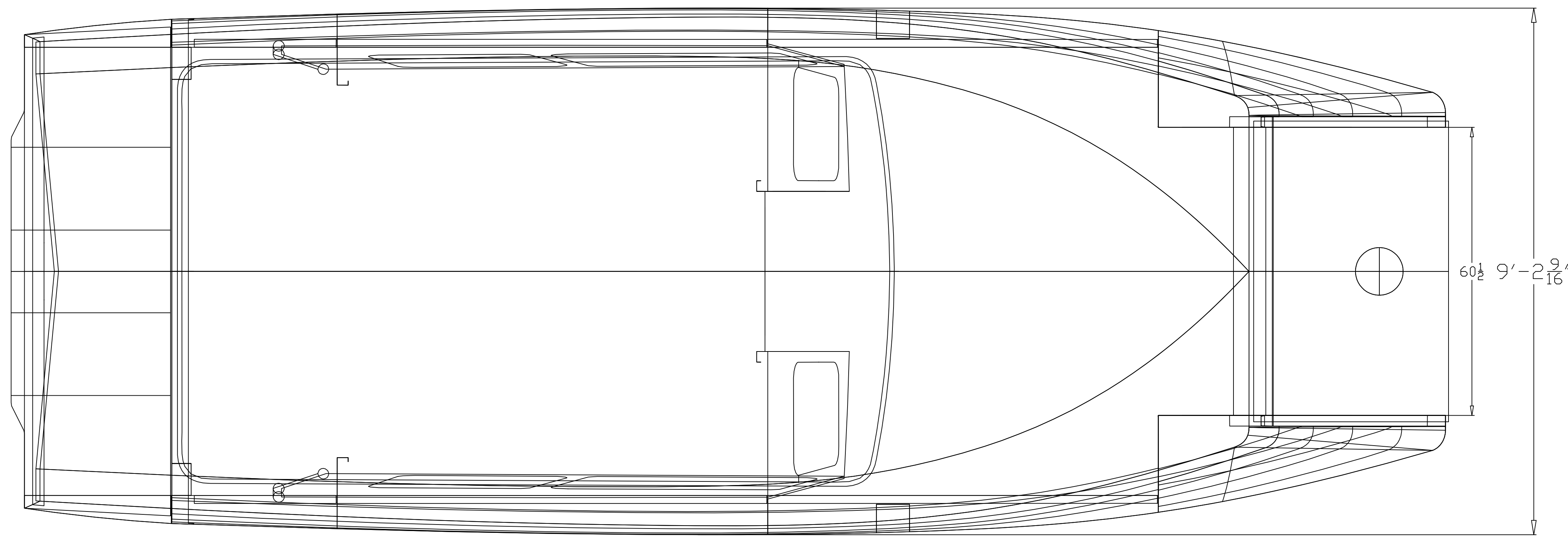


STUDY PLAN  
 COPE 25ft LANDING CRAFT OUTBOARD  
 DESIGN C084  
 Designed by A B Cope Ltd.



- Extrusion List  
 (Cope 25ft x 9ft4in DB Landing Craft)  
 Discovery Passage 25 DB LC  
 Design C084  
 List created on June 2022
- All lengths are in 20ft length-
- Floor stiffener  
 12 lengths= 3/8" X 2" X 2" 6063 T6 square corner square tube
- Bow channel  
 3 lengths= 1/4" X 2" X 2" 6063 T5 square tubes
- Cabinside channel  
 1 length= 3/8" X 2-1/2" X 1-1/2" 6061 T6 Aluminum channels
- Cabintop beams  
 3 lengths= 1/2" X 1-1/2" X 1-1/2" 6061 T6 square tubes
- Cabintop pipe, Cabinside aft support pipe  
 3 lengths= 1-1/4" sched. 40 pipe
- Handrail  
 2 lengths= 3/4" sched. 40-6063 T5 pipe
- Gunwale deck pipe  
 3 lengths= 2" sched. 40-6061 T6 half pipe

- Aluminum Plate List  
 (Cope 25ft x 9ft4in DB Landing Craft)  
 Discovery Passage 25 DB LC  
 Design C084  
 September 5 2019  
 Revised Mar 6 2020 AH
- 3/8" plate  
 1 sheet 3/8"x5ftx20ft---5086 H116
- 1/2" sheet  
 2 sheets 1/2"x5ftx22ft 7-1/2in---5086 H116  
 1 sheet 1/2"x5ftx20ft---5086 H116
- 1 sheet 1/4"x5ftx20ft---5052 H32  
 1 sheet 1/4"x5ftx10ft ---5052 H32
- 3/16"  
 2 sheets 3/16"x4ftx26ft---5086 H116  
 1 sheet 3/16"x5ftx20ft---5086 H116
- 3 sheets 3/16" x 5ftx20ft ----5052 H32  
 1 sheet 3/16" x 5ft x 12ft ----5052 H32  
 3 sheets 3/16" x 4ft x 20ft ----5052 H32
- 3/32"  
 1 sheet 3/32" x 4ft x 20ft ----5052 H32  
 2 sheets 3/32" x 5ft x 20ft ----5052 H32
- 1/8"  
 1 sheet 1/8" x 4ft x 10ft --- 5052 H32  
 1 sheet 1/8" x 5ft x 20ft ---- 5052 H32
- There is a total of 21 sheets



- Jig Parts Plate List  
 (Cope 25ft x 9ft4in DB Landing Craft)  
 Discovery Passage 25 DB LC  
 Design C084  
 September 25 2020
- 1/4" sheet  
 1 sheet 1/4"x4ftx20ft---5052 H32  
 1 sheet 1/4"x5ftx20ft ---5052 H32
- There is a total of 2 sheets

STUDY PLAN  
 COPE 25FT LANDING CRAFT DB  
 DESIGN C084

Length-----25'  
 Beam-----9'-6" with gunwale pipe.  
 Displacement-Lightship-----5,600 lbs  
 Maximum Displacement-----10,000 lbs  
 Cargo Capacity-----4,400 lbs  
 Power-----Twin 150 hp Outboards  
 Door Width-----60.5"

Designed by A.B.COPE LTD.  
 Designer--Bruce Cope  
 Sept 5 2019

THIS DRAWING REMAINS THE  
 INTELLECTUAL PROPERTY OF A.B. COPE  
 LTD. AND IS FOR THEIR SOLE USE AND  
 BENEFIT.  
 ONE BOAT MAY BE BUILT FROM THIS  
 DRAWING AFTER IT IS RECEIVED FROM  
 A.B. COPE LTD. AND AUTHORIZATION IS  
 GIVEN BY A.B. COPE  
 BRUCE COPE--PH 250-752-1724