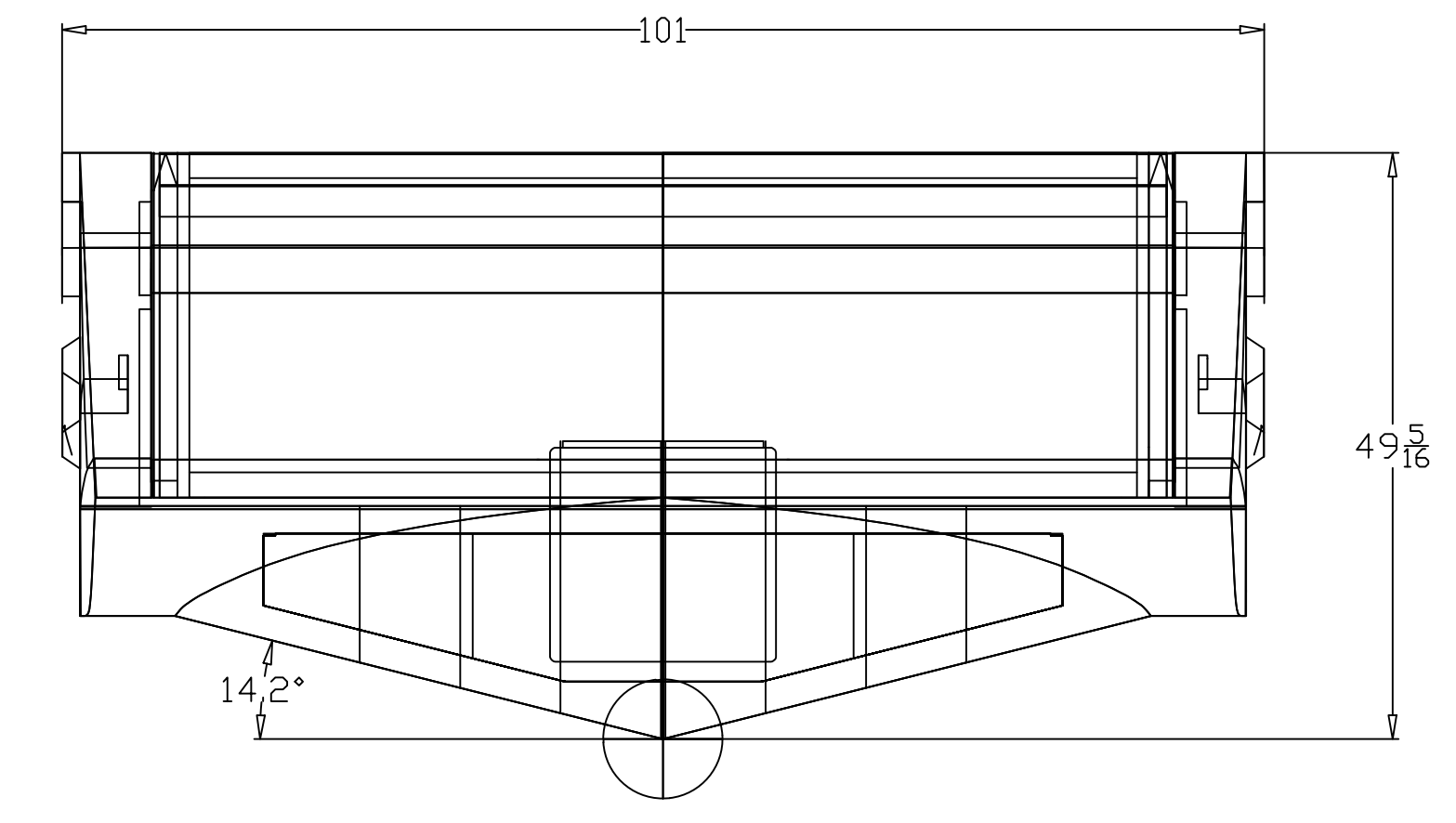
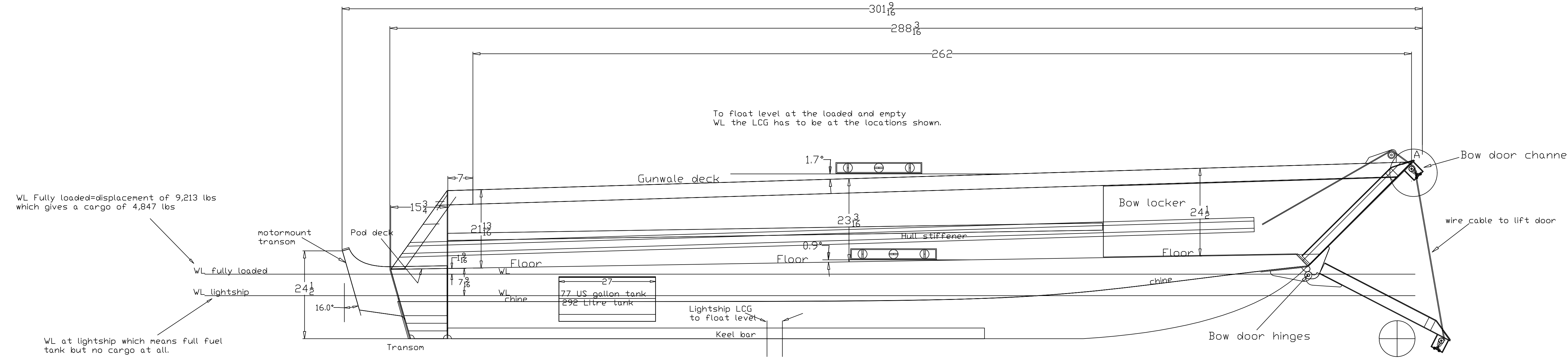


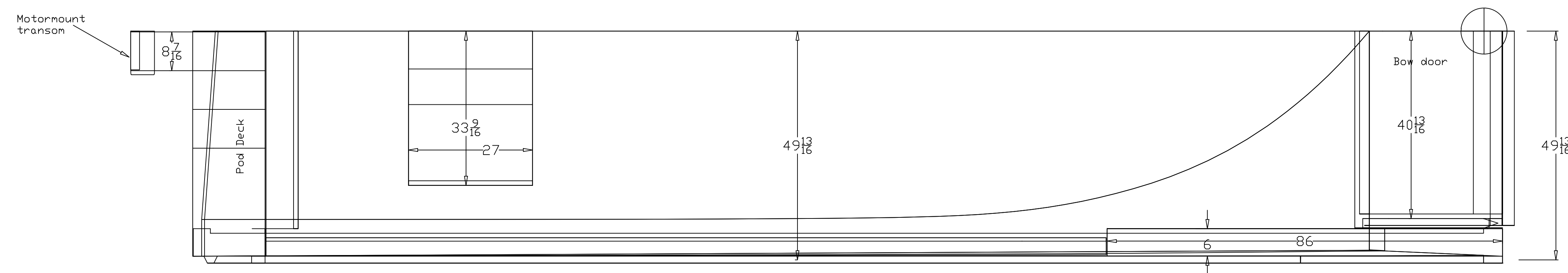
Performance Specifications
 Sea Trials
 July 19-2004 @July 20-2004
 Load-empty
 People-2
 Power-Twin 115 HP 4 stroke Yamaha outboards
 Speed=40 mph
 Second sea trial-July 20-2004
 Load-3000 lb
 Speed=35 mph

Gabriola 24 Landing Craft Standard Sides Single Engine or Twin Engine Options Design C026 Study Plan

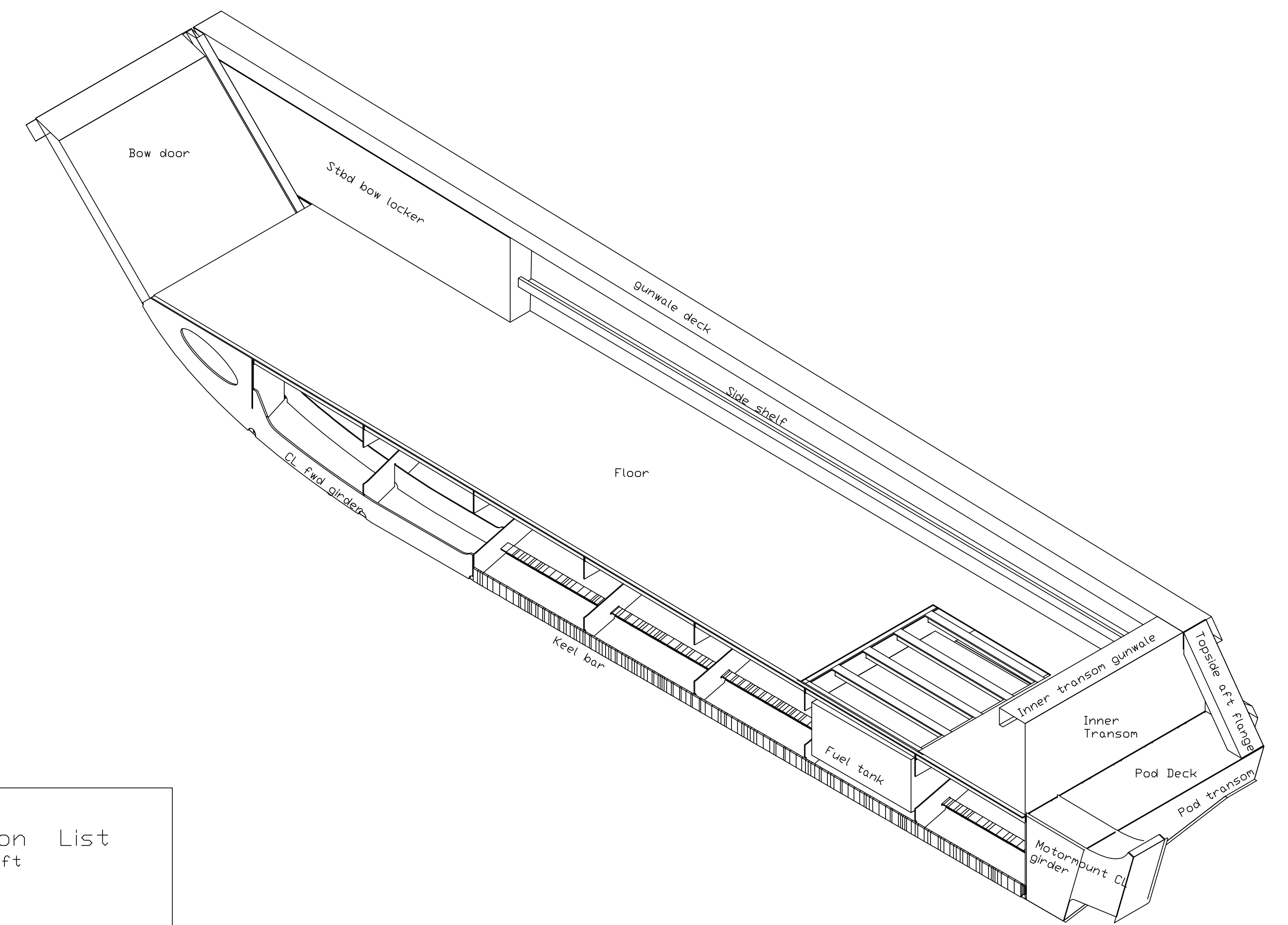
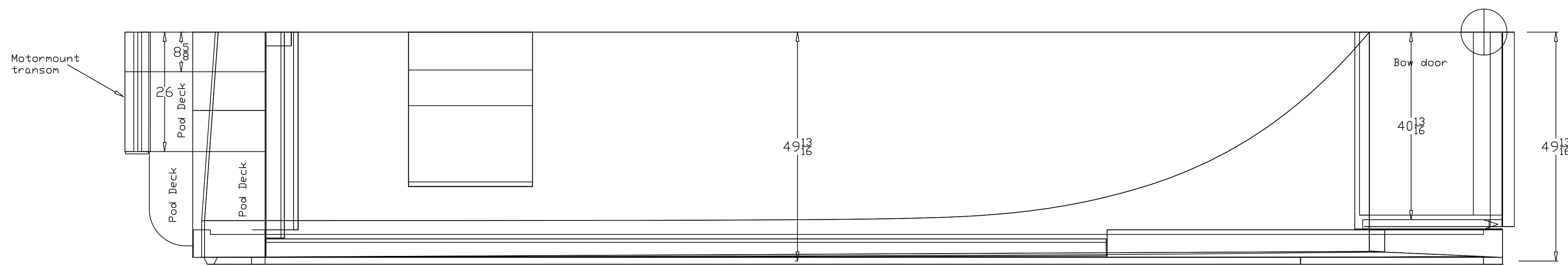


*Note: This study plan drawing is showing the single engine option of the Gabriola 24 Landing Craft. Twin engine option has longer and wider swimgrid and motor parts.

Single Engine Model



Twin Engine Model



THIS DRAWING REMAINS THE INTELLECTUAL PROPERTY OF A.B. COPE LTD. AND IS FOR THEIR SOLE USE AND BENEFIT. ONE BOAT MAY BE BUILT FROM THIS DRAWING AFTER IT IS RECEIVED FROM A.B. COPE LTD. AND AUTHORIZATION IS GIVEN BY A.B. COPE BRUCE COPE--PH 250-752-1724

Gabriola 24 DB Landing Craft Options for Single Engine or Twin Engine Design C026 Construction Drawing
 Length hull-----24ft
 Length DA including motor mount=25ft 1-1/2 inches
 Beam-----8ft 3-1/2 inches
 Bow door width-----81-5/8"
 Displacement---Lightship--4,500 lbs
 Displacement---Loaded 9,200 lbs
 Dwl-----21ft
 Power---single or twin outboard to 300 hp total
 Designed by A.B.COPE LTD.
 Designer--Bruce Cope
 July 14-2011

Plate List	Extrusion List
Gabriola 24 LC (Cope 24ft Landing Craft) Single Outboard Model Feb 26-2013	Gabriola 24 LC (Cope 24ft Landing Craft) Single Outboard Model Nov 2012
3/8" plate 1 sheet 3/8"x5ftx10ft 5086 H116	All lengths are 20ft
1/2" sheet 2 sheets 1/2"x5ft x20ft 5086 H116 1 sheet 1/2"x4ftx8ft 5086 H116	19 lengths of 'T' bar--1/2"x2"x2" 6061 T6
3/8" sheet 8 sheets 3/8"x5ftx20ft 5052 H32 2 sheets 3/8"x4ftx20ft 5052 H32 1 sheet 3/8" x 4ftx8ft 5052 H32	2 lengths of rectangular tube--3/8"x3"x2" 6061 T6 or if tubing is not available use 1/2" or 3/8" x3"x2" channel. 6061 T6
There is a total of 15 sheets	

Plate List	Extrusion List
Cope 24ft Landing Craft Twin Outboard Model Feb 26-2013	Cope 24ft Landing Craft Twin Outboard Model Nov 2012
3/8" plate 1 sheet 3/8"x5ftx12ft 5086 H116	All lengths are 20ft
1/2" sheet 2 sheets 1/2"x5ft x20ft 5086 H116 1 sheet 1/2"x4ftx8ft 5086 H116	19 lengths of 'T' bar--1/2"x2"x2" 6061 T6
3/8" sheet 8 sheets 3/8"x5ftx20ft 5052 H32 2 sheets 3/8"x4ftx20ft 5052 H32 1 sheet 3/8" x 4ftx8ft 5052 H32	2 lengths of channel--3/8"x3"x2" 6061 T6
There is a total of 15 sheets	