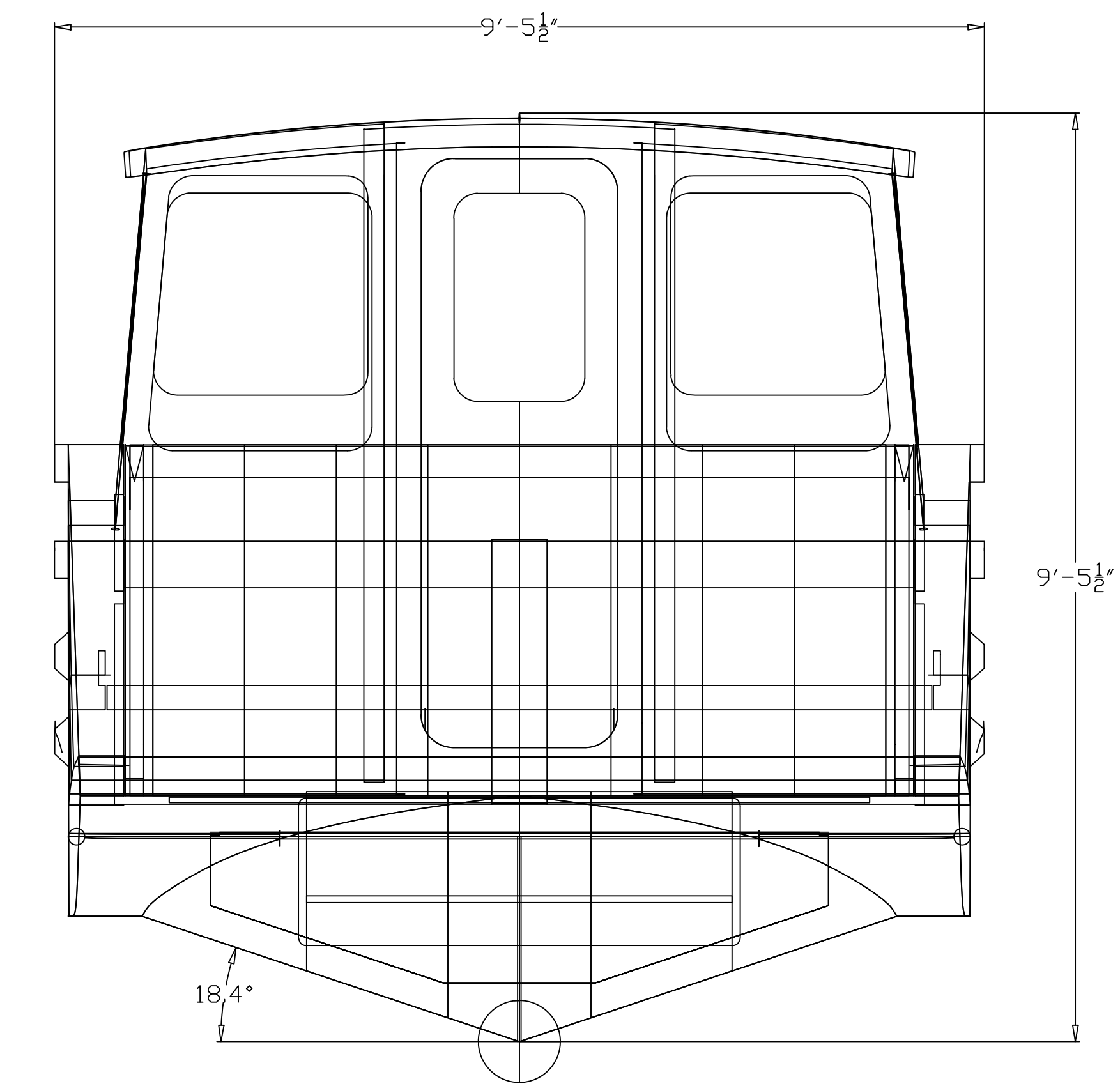
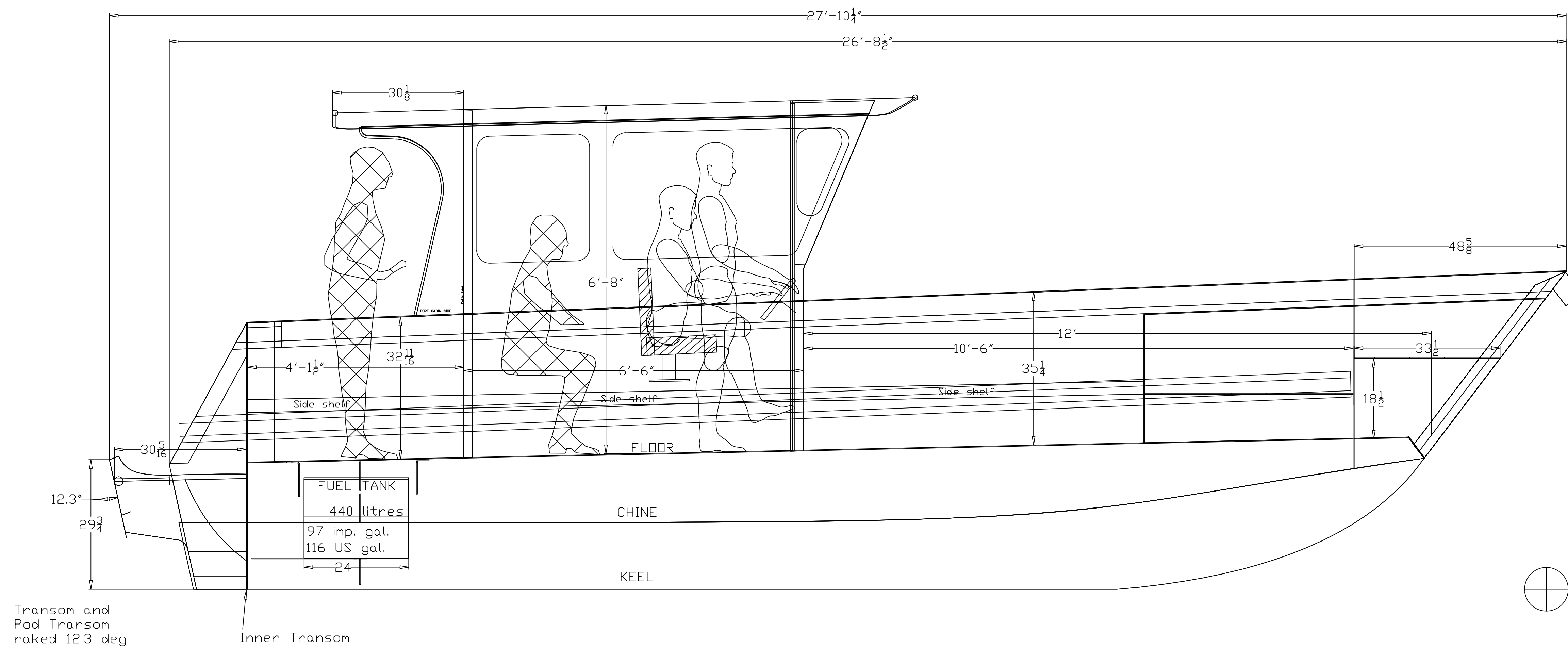


Cope Gabriola 27 Outboard Landing Craft (27ft x 9ft 6in)

Design C030

STUDY PLAN



The boat will carry 5000lbs of cargo, centered at an LCG 130 if you put 500lbs of ballast at an LCG of 286. The floor at the transom is 10 3/4 inches above the VL. It is trinning slightly down in the bow, the bow door opening is still 7 inches above the VL.

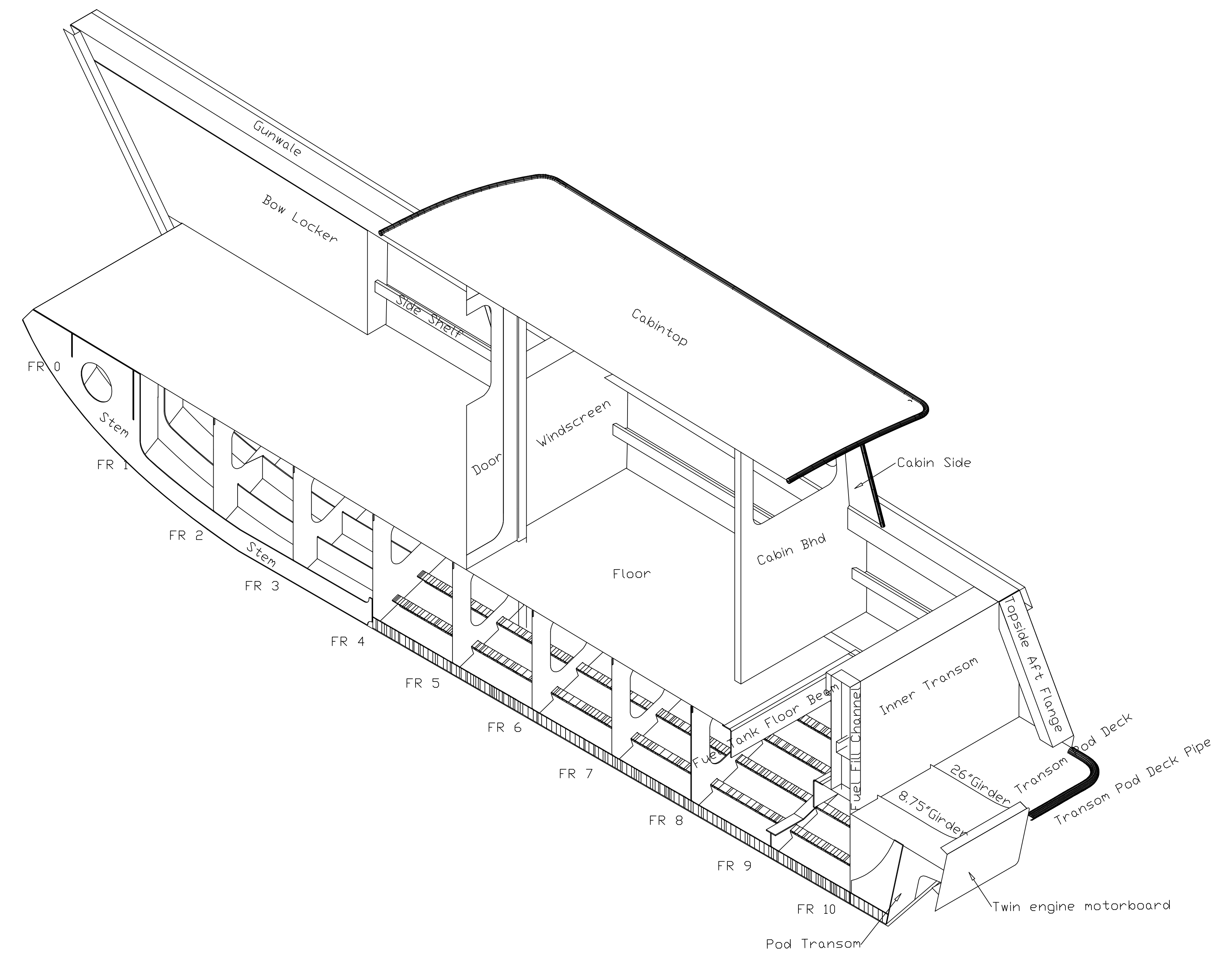
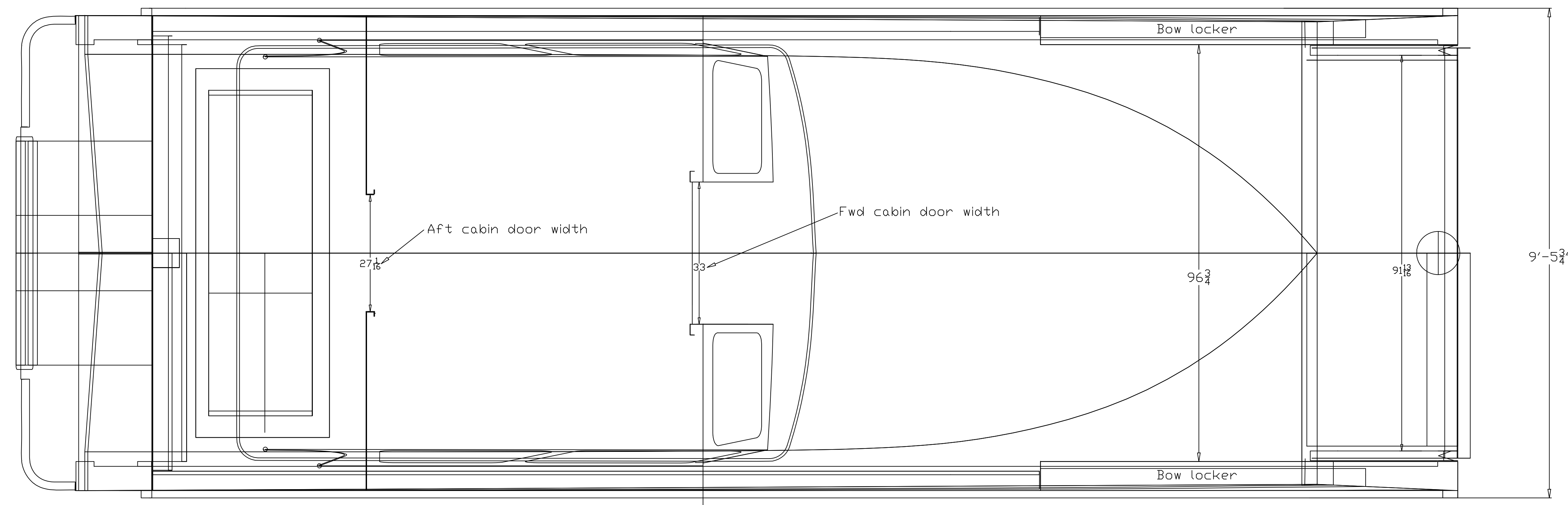


Plate List

Gabriola 27 OB Landing Craft
(27ft X 9ft 6in LC)
Twin Outboard Model
Design C030
April 22 2014

- 3/8" plate
1 sheet 3/8"x4ftx20ft 5086 H116
 - 1/4" sheet
1 sheet 1/4"x6ft x12ft 5086 H116
8 sheets 1/4"x5ftx20ft 5086 H116
 - 3/16" sheet
2 sheets 3/16" x5ftx8ft 5086 H116
3 sheets 3/16" x5ftx20ft 5052 H32
1 sheet 3/16" x4ftx20ft 5052 H32
1 sheet 3/16" x4ftx12ft 5052 H32
 - 4 sheets 3/16" x5ftx20ft 5086 H116
1 sheet 3/16" x4ftx20ft 5086 H116
 - 3/8" sheet
2 sheets 3/8" x4ftx20ft 5052 H32
1 sheet 3/8" x6ftx20ft 5052 H32
 - 1/2" sheet
1 sheet 1/2" x8ftx12ft 5052 H32
- There is a total of 26 sheets

Extrusion List

Gabriola 27 OB Landing Craft
(27ft X 9ft 6in LC)
Design C030
Created on Dec 15-2020

- ALL LENGTHS ARE 20FT-
- Hull bottom stiffeners
8 lengths = 1" bar---2"x2"x1/4" ALLDY 6061-T6
- Floor Stiffeners
12 lengths = 1" bar---2-1/2"x2"x1/4" ALLDY 6061-T6
- Cabin top beam
4 lengths = Square tube---1"x1"x1/8" ALLDY 6061-T6
- Cabin top pipe trim
3 lengths = 3/4" sch. 40 ALLDY 6061-T6
- Hull stiffener
2 lengths = 3/8" ALLDY 6061-T6

Cope Gabriola 27 Outboard LC
(27ftx9ft-6in Landing Craft)
Design C030
Length hull-----26ft 8"
Length DA including swimgrid= 27' 10"
Beam over all-----9ft 6in
Deadrise-----18.4 degrees
Displacement---Lightship--6,300 lbs
Displacement---Loaded 10,000 lbs
Dwt-----23ft 2 inches
Bow door width-----91-7/16 inches
Power-----Outboards to 400 hp
Designed by A.B.COPE LTD.
Designer--Bruce Cope
May 2014