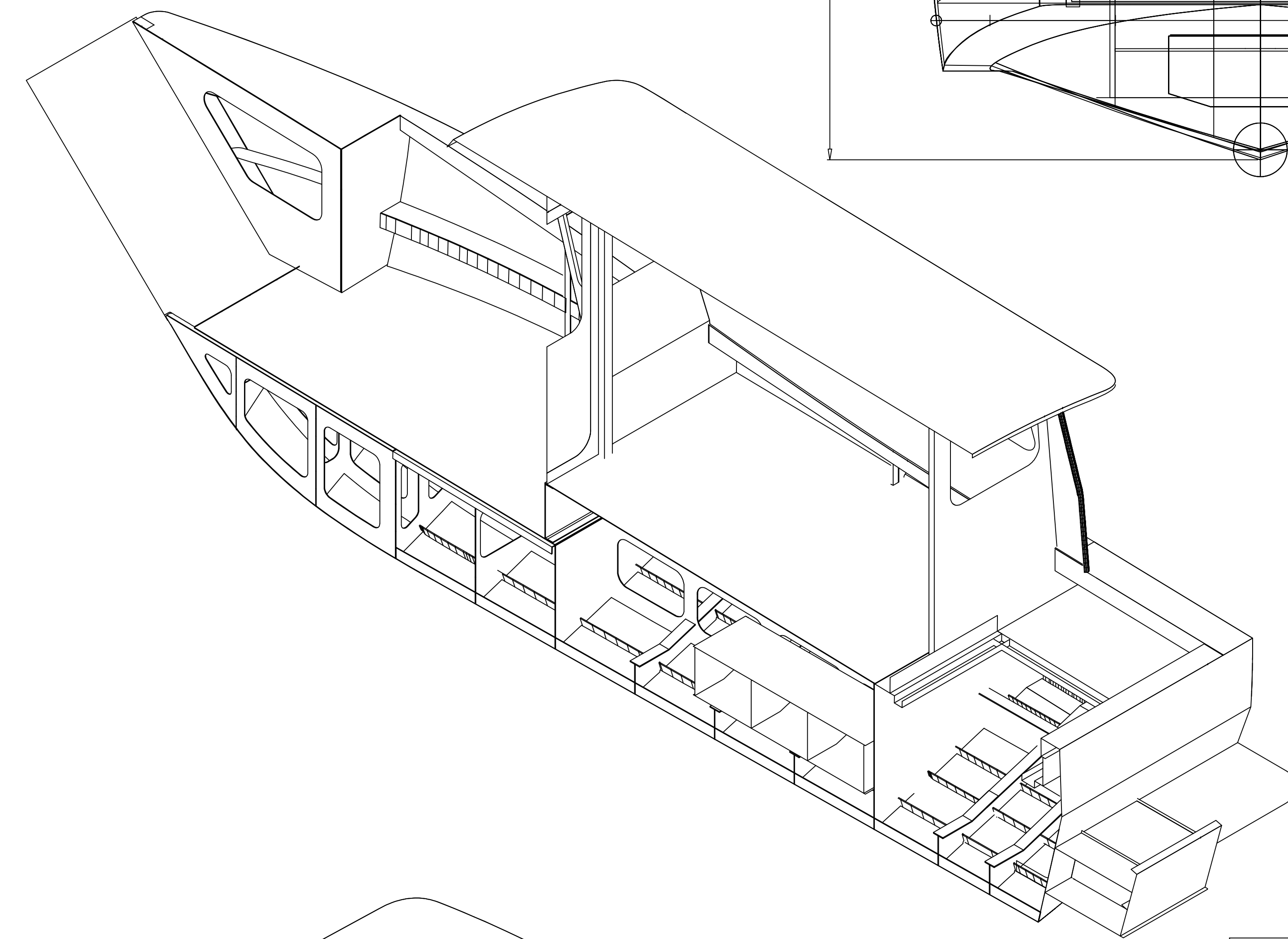
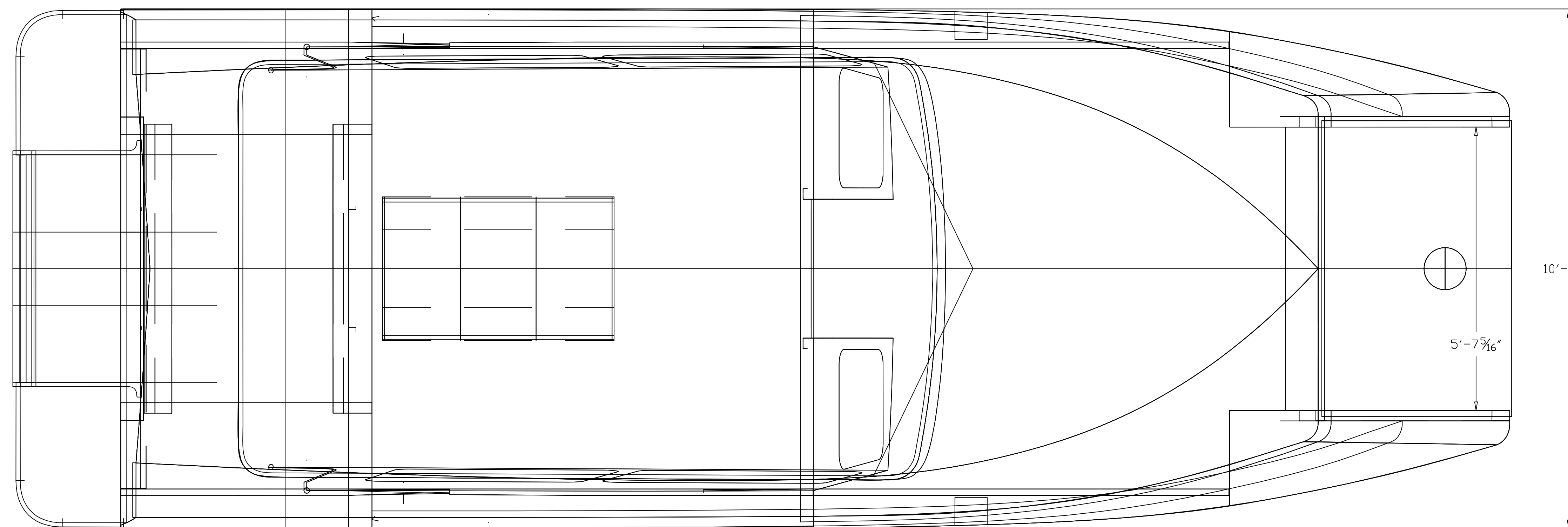
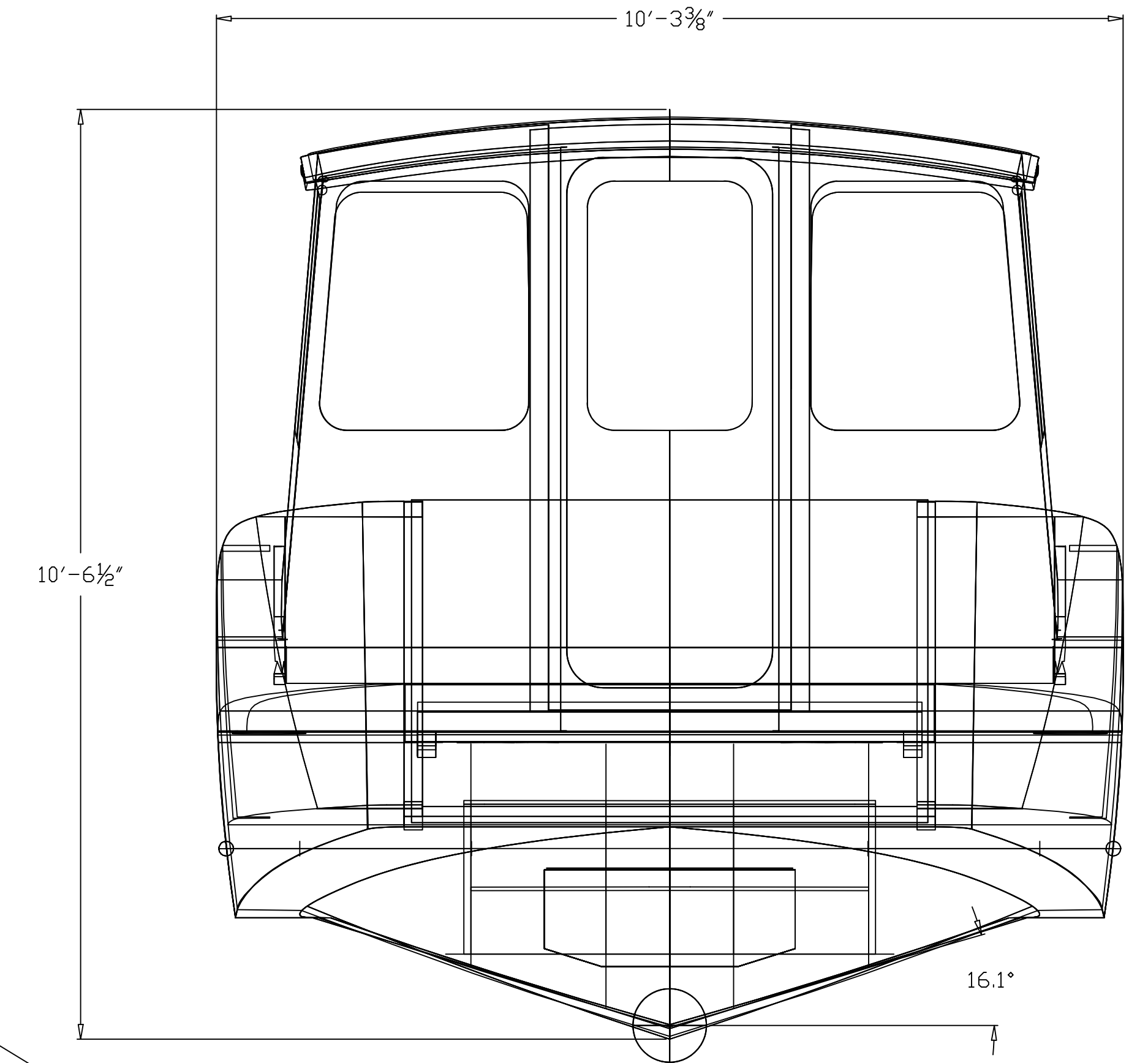
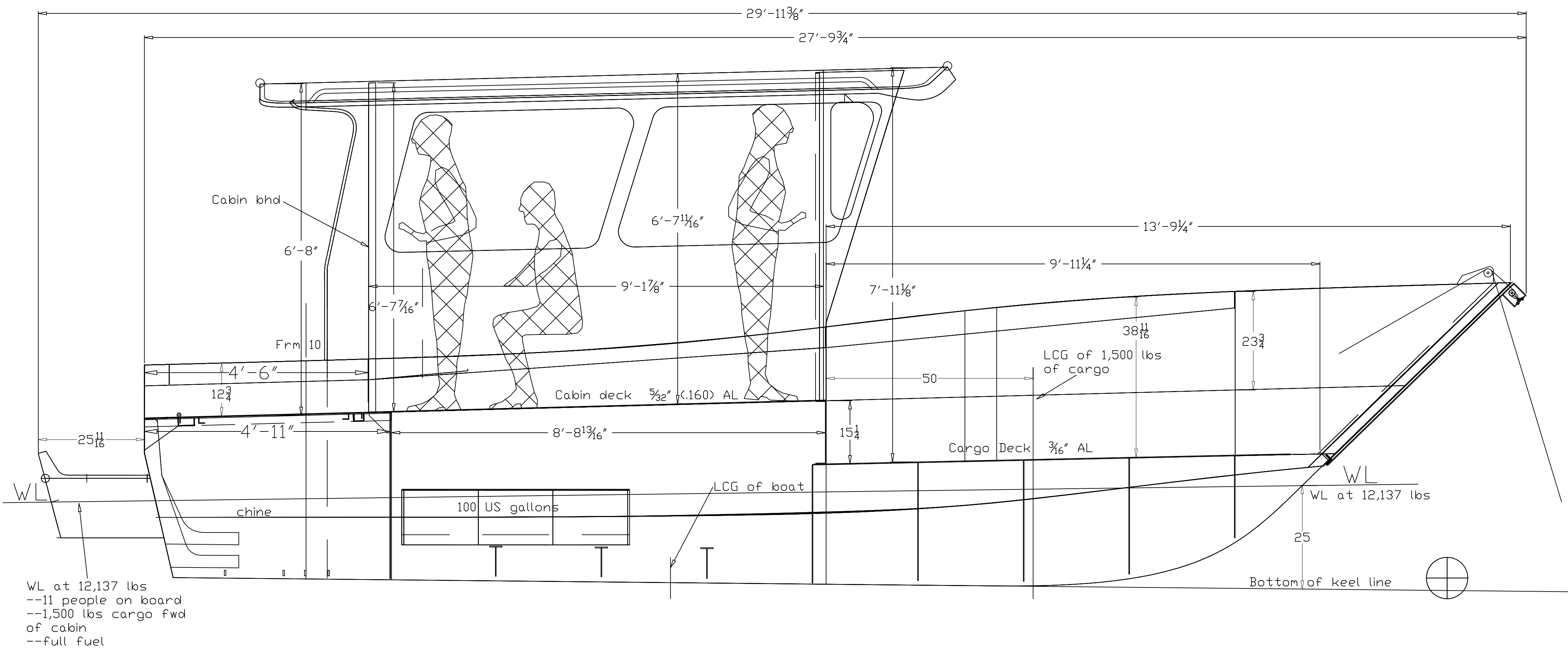


C029 27ft 10in LANDING CRAFT O.B.
DISCOVERY PASSAGE 28 OB - 9' CABIN
STUDY PLAN

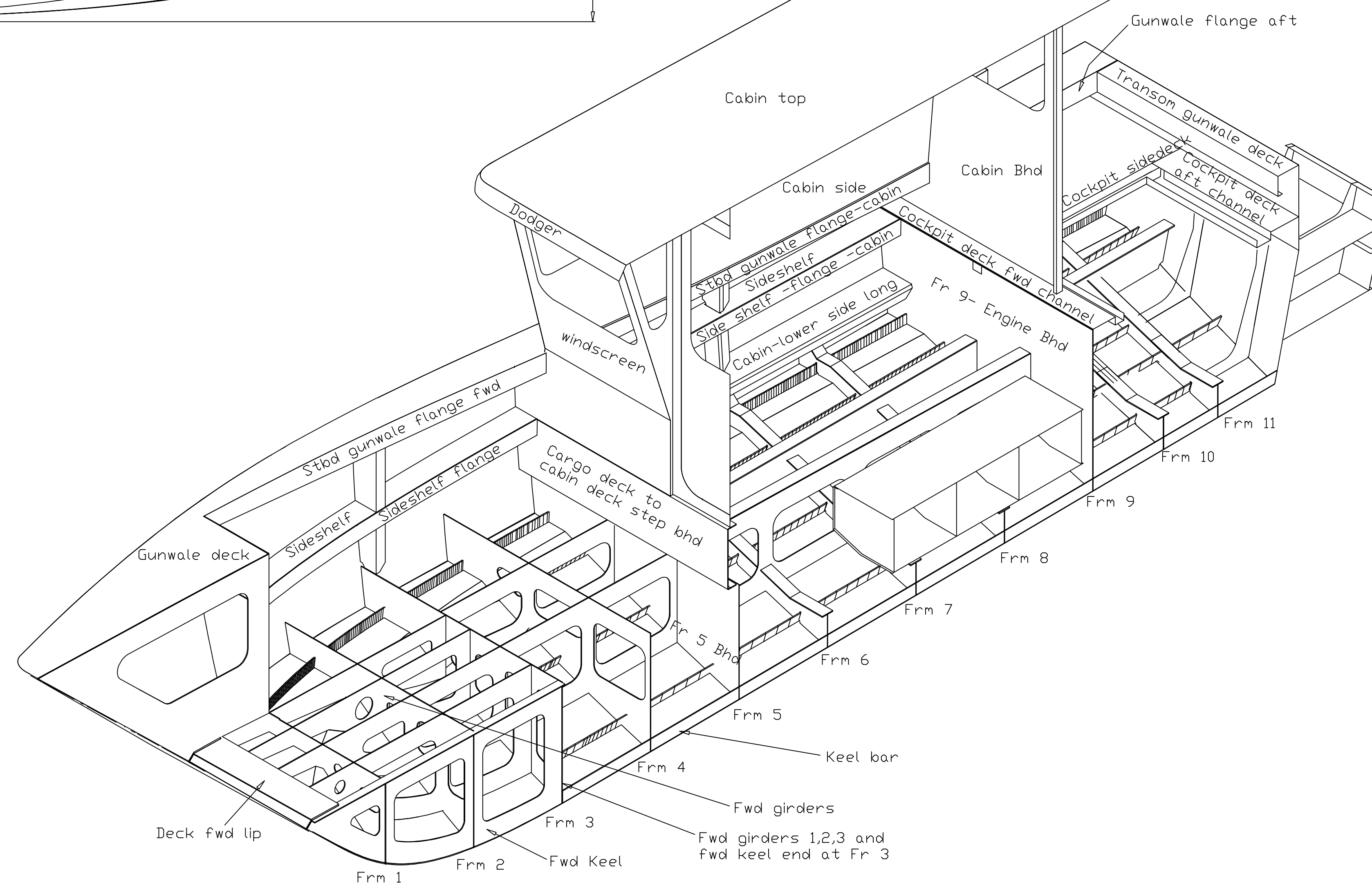


Builder is required to go through the construction drawings to confirm the extrusion list. This list does not include additional material that may be required while building an aluminum boat. This list does not include parts for jig assembly.

- Plate List**
C029 27ft 10in Landing Craft OB
Discovery Passage 28 OB
9' CABIN MODEL
November 23 2023
- 3/8" plate**
1 sheet = 3/8" x 5ft x 12ft ALLOY 5086 H116
- 1/2" plate**
2 sheets = 1/2" x 5ft x 25ft ALLOY 5086 H116
1 sheet = 1/2" x 5ft x 20ft ALLOY 5086 H116
1 sheet = 1/2" x 5ft x 12ft ALLOY 5086 H116
1 sheet = 1/2" x 4ft x 20ft ALLOY 5086 H116
- 1 sheet = 1" x 8ft x 8ft ALLOY 5052 H32
- 3/16" plate**
2 sheets = 3/16" x 5ft x 27ft 9in ALLOY 5086 H116
- 2 sheets = 3/16" x 6ft x 20ft ALLOY 5052 H32
7 sheets = 3/16" x 5ft x 20ft ALLOY 5052 H32
- 3/32" plate**
2 sheets = 3/32" x 6ft x 20ft ALLOY 5052 H32
2 sheets = 3/32" x 5ft x 20ft ALLOY 5052 H32
1 sheet = 3/32" x 4ft x 20ft ALLOY 5052 H32
1 sheet = 3/8" x 5ft x 20ft ALLOY 5052 H32

There is a total of 25 sheets

Performance Data from Sea Trial
Sept 2017
- Power: Twin 250hp OB
- Top speed: 50mph
- Cruise speed: 36mph



EXTRUSION LIST

C029 27FT 10IN LANDING CRAFT O.B.
DISCOVERY PASSAGE 28
9' CABIN MODEL

NOVEMBER 23 2023

All extrusions are Aluminum and 20ft length, unless otherwise specified.

ANGLE BAR

- 1 length ----- 1/4" x 2 1/2" x 2" Alloy 6061 T6 Angle Bar (transom)
12 lengths ----- 3/8" x 2" x 2" Alloy 6061 T6 Angle Bar (bhds, floor & girder)
8 lengths ----- 3/8" x 1 1/2" Alloy 6061 T6 Angle Bar (floor)
2 lengths ----- 3/8" x 3" x 2" Alloy 6061 T6 Angle Bar (lifting strokes)

FLAT BAR

- 1 length ----- 1/4" x 3" Alloy 6061 T6 Flat Bar (fwd keel)

SQUARE TUBE

- 7 lengths ----- 3/8" x 1 1/2" x 1 1/2" Alloy 6061 T6 Square Tube (cabinside, windscreen, door)
5 lengths ----- 1/2" x 1" x 1" Alloy 6061 T6 Square Tube (cabintop)
5 lengths ----- 1/2" x 2" x 2" Alloy 6061 T6 Square Tube (floor and bhd)
1 length ----- 1/2" x 4" x 4" Alloy 6061 T6 Square Tube (rigging chase & floor)
2 lengths ----- 1/2" x 3" x 3" Alloy 6061 T6 Square Tube (bow door)

RECTANGULAR CHANNEL

- 1 length ----- 1/2" x 3" x 1 1/2" Alloy 6061 T6 Rectangular Channel (door)

PIPE

- 1 length ----- 2" sch 40 Alloy 6063 T5 Pipe (handrails)
3 lengths ----- 1" sch 40 Alloy 6063 T5 Pipe (cabin)
1 length ----- 2" sch 40 Alloy 6063 T5 Pipe (pod deck)

HALF PIPE

- 3 lengths ----- 2" sch 40 Alloy 6061 T6 Half Pipe (sheer)

HULL EXTRUSION - 25FT LENGTH

- 4 lengths ----- Marine Extrusion Alloy 6061 T6 (hull)

STAINLESS STEEL ROUND BAR - 12FT LENGTH

- 1 length ----- 1/2" Stainless Steel T 316 Round Bar (safety latch)

C029 27ft 10in Landing Craft OB
Discovery Passage 28
9' Cabin Model

CONSTRUCTION DRAWINGS
CONSTRUCTION-ALUMINUM-----MEASUREMENTS-IMPERIAL
Length hull-----27ft 10in
Length DA including swinglid-----30ft 5in
Beam-----10ft 6in
Bow door width-----67-1/4 inch (5ft 7-1/4in)
Displacement---Lightship---8,272 lbs
Displacement---Loaded---13,126 lbs
Cargo Capacity-----5,000 lbs
Power-----2 x 250 hp outboards
Designed by A.B.COPE LTD.
Designer--Bruce Cope
June 2013
Modified November 17 2023

P 1