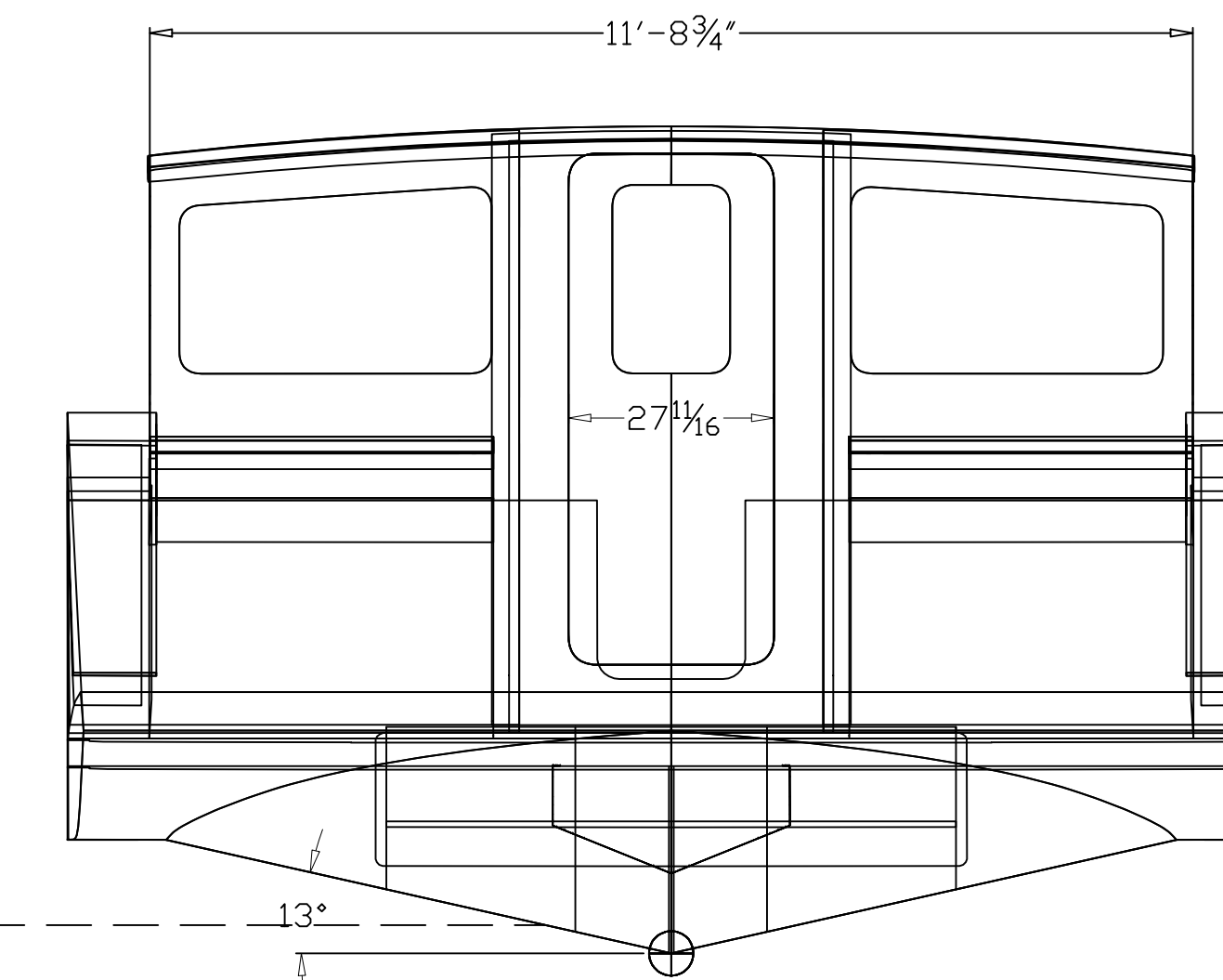
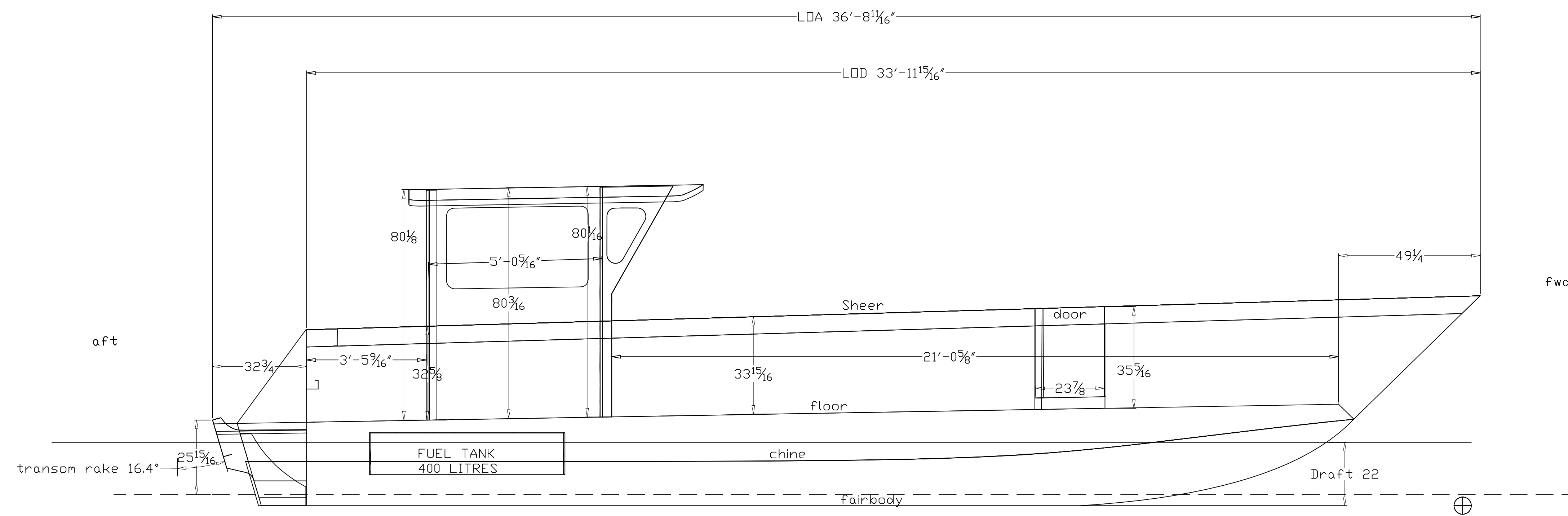


COPE 36ft x 13ft 7in Outboard Landing Craft

Design C091

STUDY PLAN



C091 COPE 34FT x 13FT 7IN DB LANDING CRAFT EXTRUSION LIST
AUGUST 19 2020

Square Tube: square corners

1/2" x 1" 6061 T6 sq tube ---- 6 x 20ft lengths; 0.526lbs/ft

1/4" x 3" 6061 T6 sq tube ---- 5 x 20ft lengths; 3.3lbs/ft

Pipe:

2" sch 40 6061-T6 Aluminum pipe --- 1 x 20ft length; 1.286lbs/ft

Flatbar:

3/8" x 2" 6061-T6 aluminum Flatbar --- 2 x 20ft lengths; 0.45lbs/ft

1/2" x 3" 6061-T6 aluminum Flatbar --- 1 x 20ft lengths; 0.900lbs/ft

Angle Bar:

3/8" x 1-1/2" x 1-1/2" 6061 -T6 aluminum Angle Bar --- 3 x 20ft lengths; 0.622lbs/ft

3/8" x 2" x 1-1/2" 6061 -T6 aluminum Angle Bar --- 10 x 20ft lengths; 0.741lbs/ft

1/2" x 2" x 2" 6061 -T6 aluminum Angle Bar --- 26 x 20ft lengths; 1.118lbs/ft

Hull Stiffeners:

2" x 3" --- 4 x 20ft lengths; 1.256lbs/ft

Aluminum Plate List
C091 34ft x 13ft 7in DB Landing Craft
August 31 2020
Revised on Feb 28 2023

3/8" plate
1 sheet=3/8" x 5ft x 20ft----5086 H116
1 sheet=3/8" x 4ft x 8ft----5086 H116

1/4" plate
5 sheets=1/4" x 6ft x 20ft----5086 H116
14 sheets=1/4" x 5ft x 20ft----5086 H116
1 sheet=1/4" x 4ft x 10ft----5086 H116

1 sheet=1/4" x 8ft x 20ft----5052 H32
2 sheets=1/4" x 6ft x 12ft----5052 H32
1 sheet=1/4" x 5ft x 10ft----5052 H32

3/16" plate
5 sheets=3/16" x 5ft x 20ft----5052 H32
1 sheet=3/16" x 4ft x 20ft----5052 H32
2 sheets=3/16" x 5ft x 10ft----5052 H32
1 sheet=3/16" x 4ft x 10ft----5052 H32
1 sheet=3/16" x 4ft x 12ft----5052 H32

3/32" (160")
2 sheets=3/32" x 5ft x 20ft----5052 H32
3 sheets=3/32" x 6ft x 20ft----5052 H32

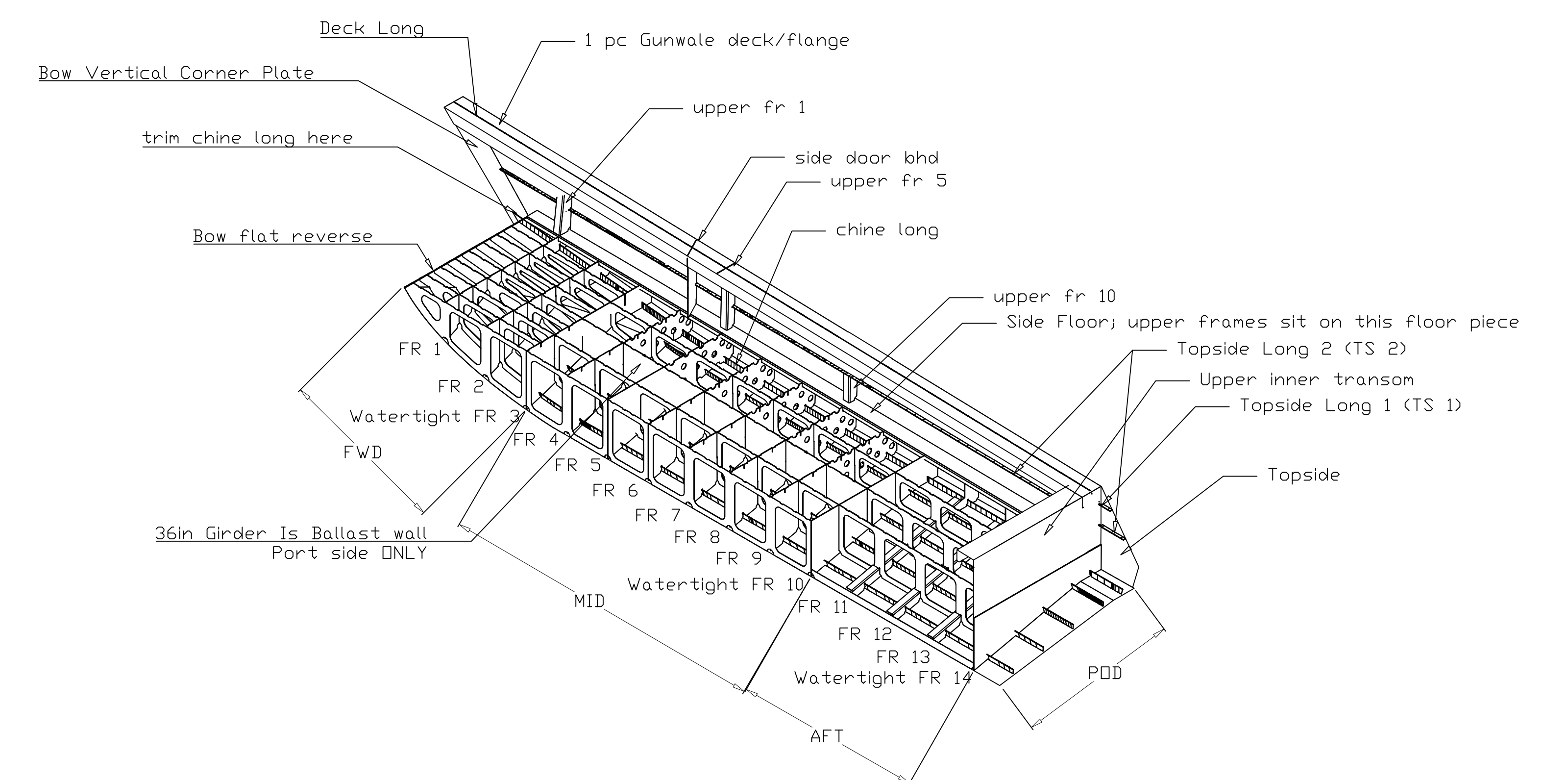
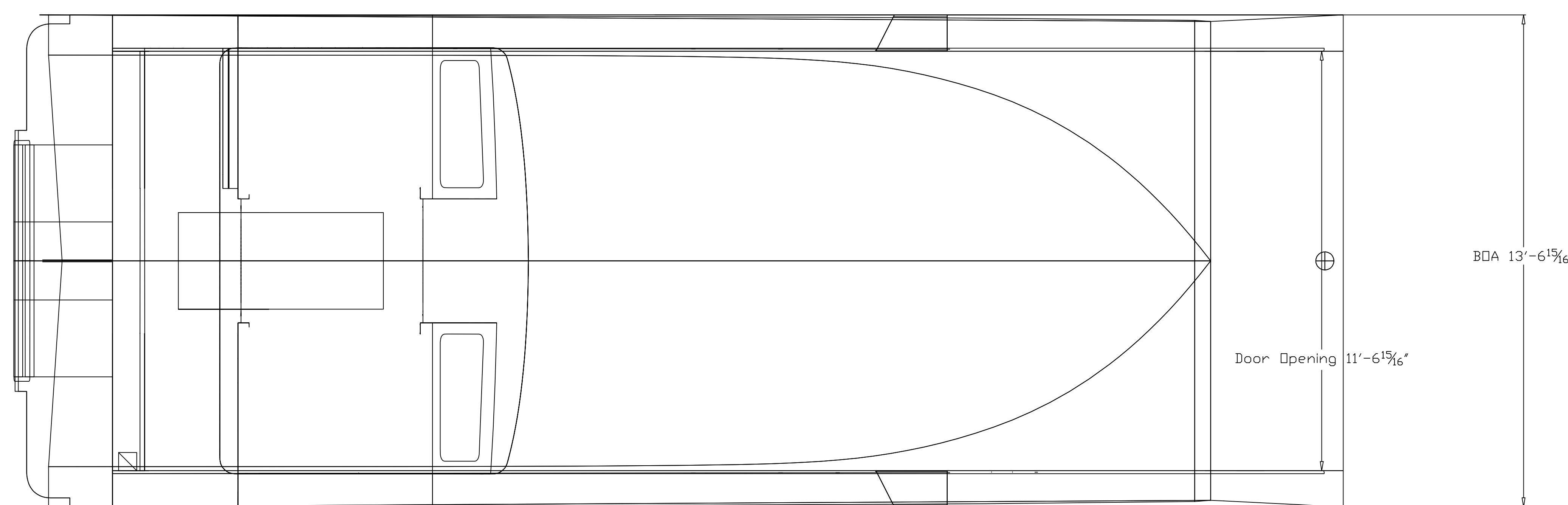
1/8"
1 sheet=1/8" x 5ft x 20ft----5052 H32
1 sheet=1/8" x 4ft x 20ft----5052 H32
1 sheet=1/8" x 5ft x 12ft----5052 H32

Aluminum Plate List
C091 34ft x 13ft 7in DB Landing Craft Jlg
Parts
August 13 2020

1/4" sheet
4 sheets=1/4" x 6ft x 20ft----5052 H32
2 sheets=1/4" x 4ft x 20ft----5052 H32

There is a total of 6 sheets

There is a total of 44 sheets



C091 Cope 34ft x 13ft 7in
Outboard Landing Craft
Construction - Aluminum
Measurements - Imperial
LDA-----36'
LOD-----33'
BDA-----13'
Draft-----22"
Displacement----- 13 deg
Power----- Twin Yamaha 300hp
Displacement -full operating --- 24,100 lbs
15 people 400L Fuel 13,000 lbs payload
Projected speed 23 knots
Displacement - light operating ---11,400 lbs
5 people 400L Fuel 2,000lbs Ballast
Projected speed 35 knots
Designed by A.B.COPE LTD.
Designer-Bruce Cope
September 5 2019
revised March 8 2023