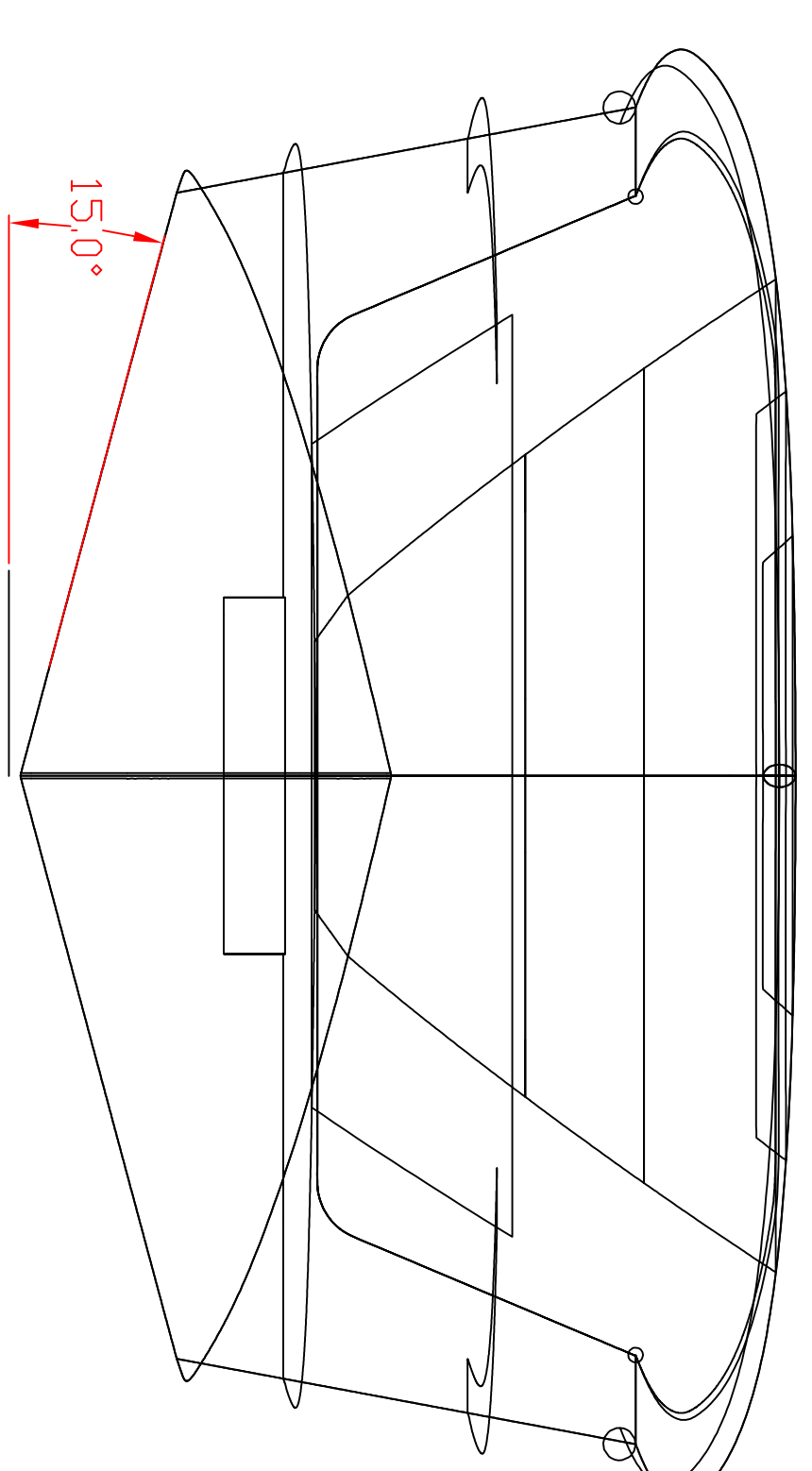
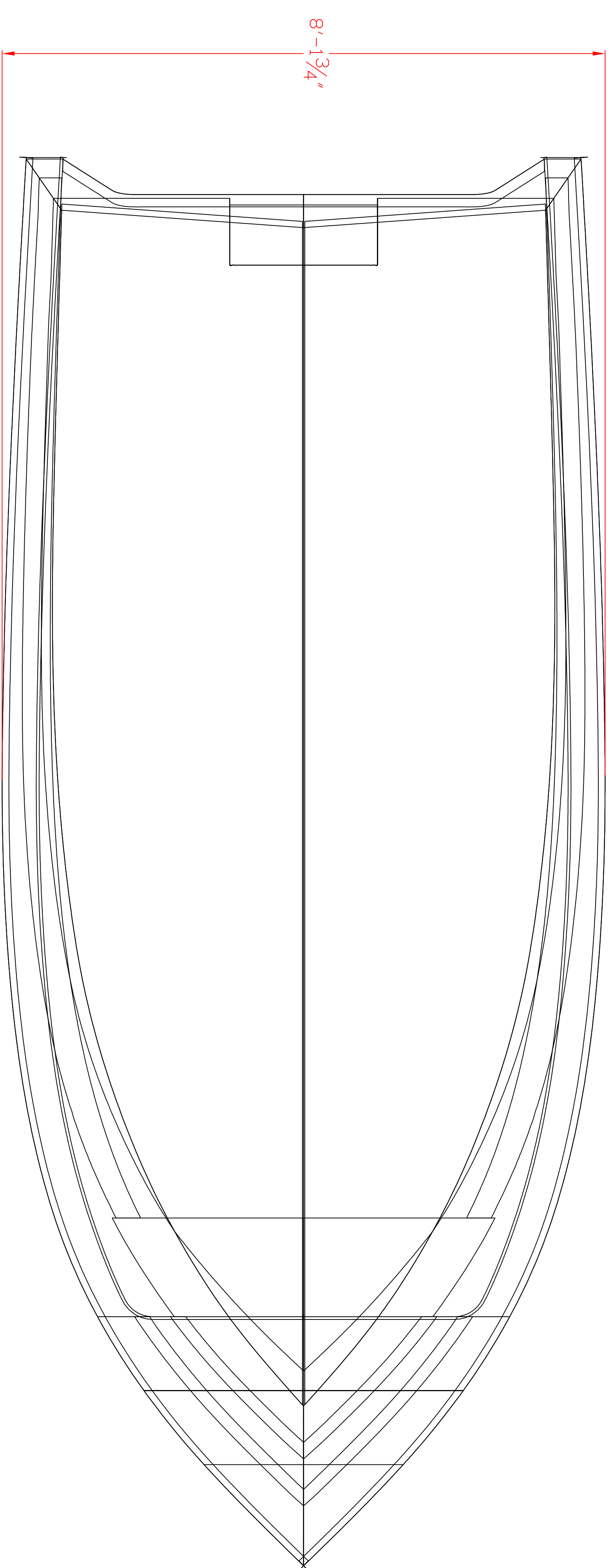
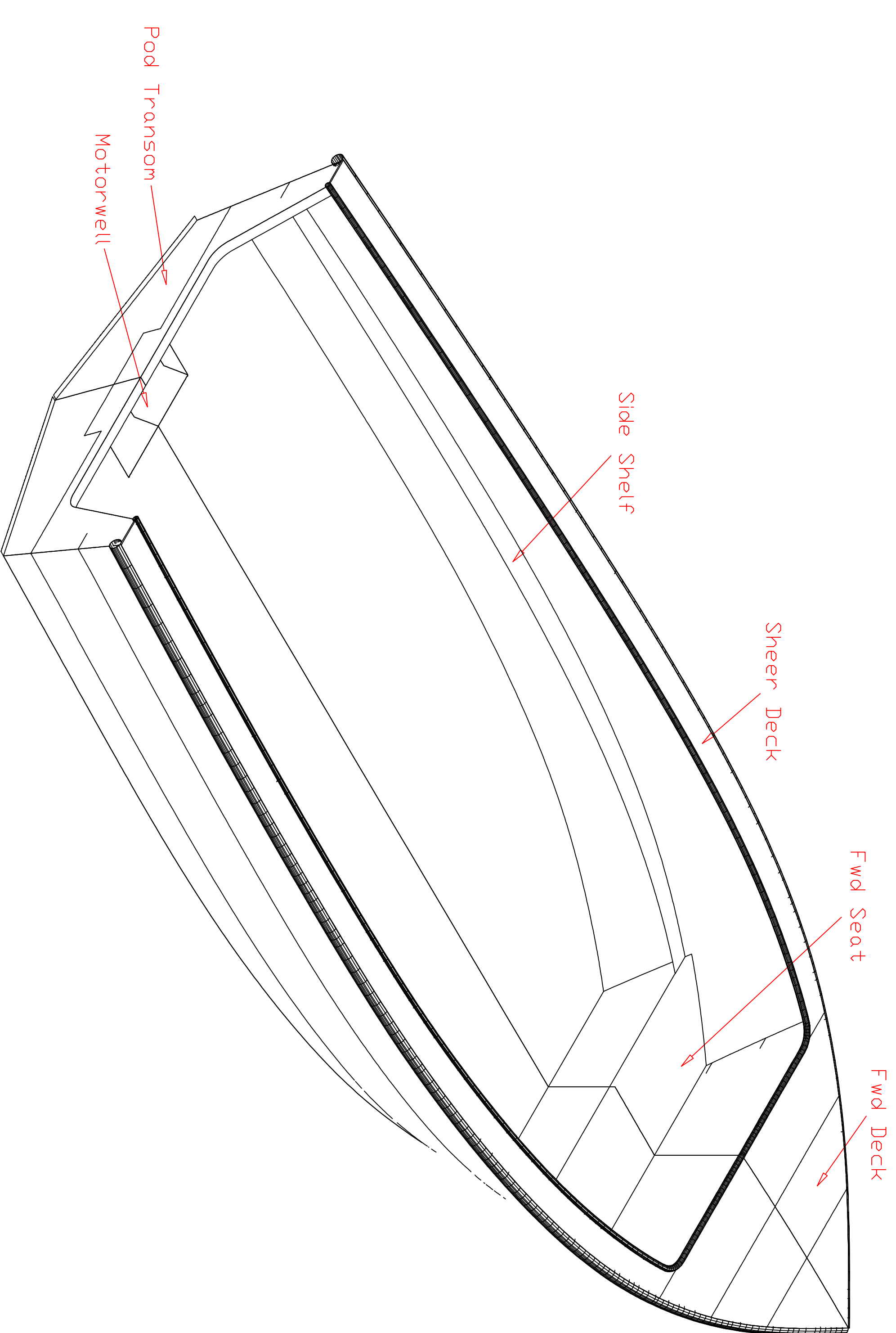
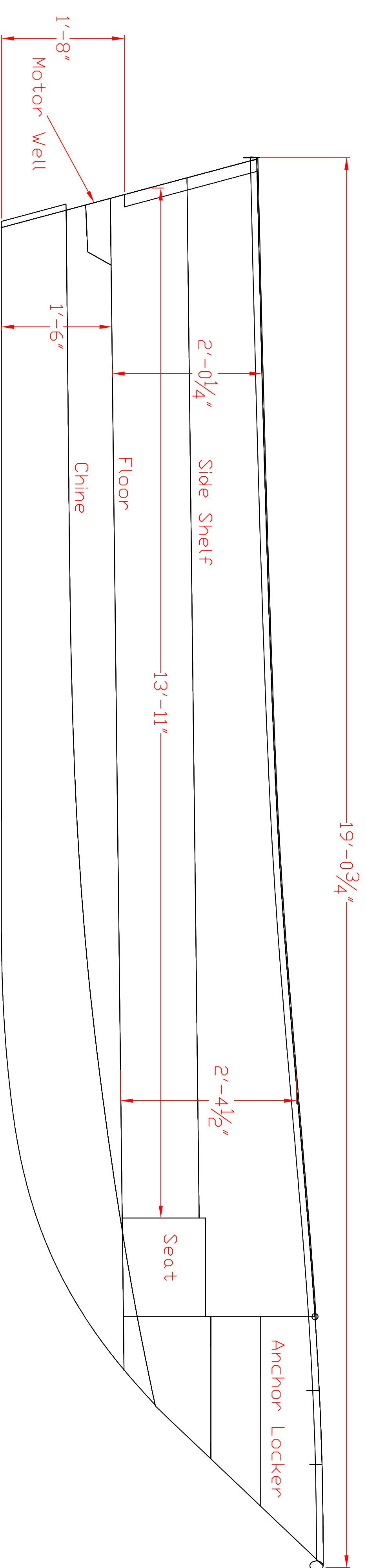


COPE MALASPINA 18 FT TILLER STEERING STUDY PLAN



Cope
Malaspina 18 ft
Raised Sheer Model

Length-----18 ft 8 in.
Beam incl. gunwale pipes-- 8 ft 4 in.
Displacement-----lbs
Dwl-----
Deadrise-----15 degrees
Power-----Max-115 HP
File: 18 FT Raised Sheer Tiller Steering
Construction drawing

P 1

Extrusion List

- All lengths are 20 ft.
- 2 lengths 2 inch sch 40 half pipe 6061T6-gunwales
 - 5 lengths 3/8"x2"x2"--6061T6 angle bar--deck longitudinal
 - 2 lengths 3/4" sch 40 pipe-6063-T5--hand rails & bow rails
 - 2 lengths 1" sch 40 pipe-6063-T5--inside deck trim
 - 2 lengths 3/8"x2"x1"-6063 T5 angle bar--chime flats

Plate List

Cope 18ft Center Console
Raised Sheer Model
August 9-2006

- 1/4" plate
- 1 sheet-1/4"x4ft x20ft-5086 H116
- 1/8" plate
- 2 sheets 3/8"x4ft x20ft-5086 H116
- 1 sheet 1/8"x5ftx20ft-5086 H116
- 5/32" plate
- 5 sheets 5/32"x4ftx20ft-5052 H32
- .080" sheet
- 1 sheet .080" x 4ft x20ft-5052 H32

Total # of plates =10

Designed by A.B.COPE LTD.
Designer-Bruce Cope
Nov 26-2016