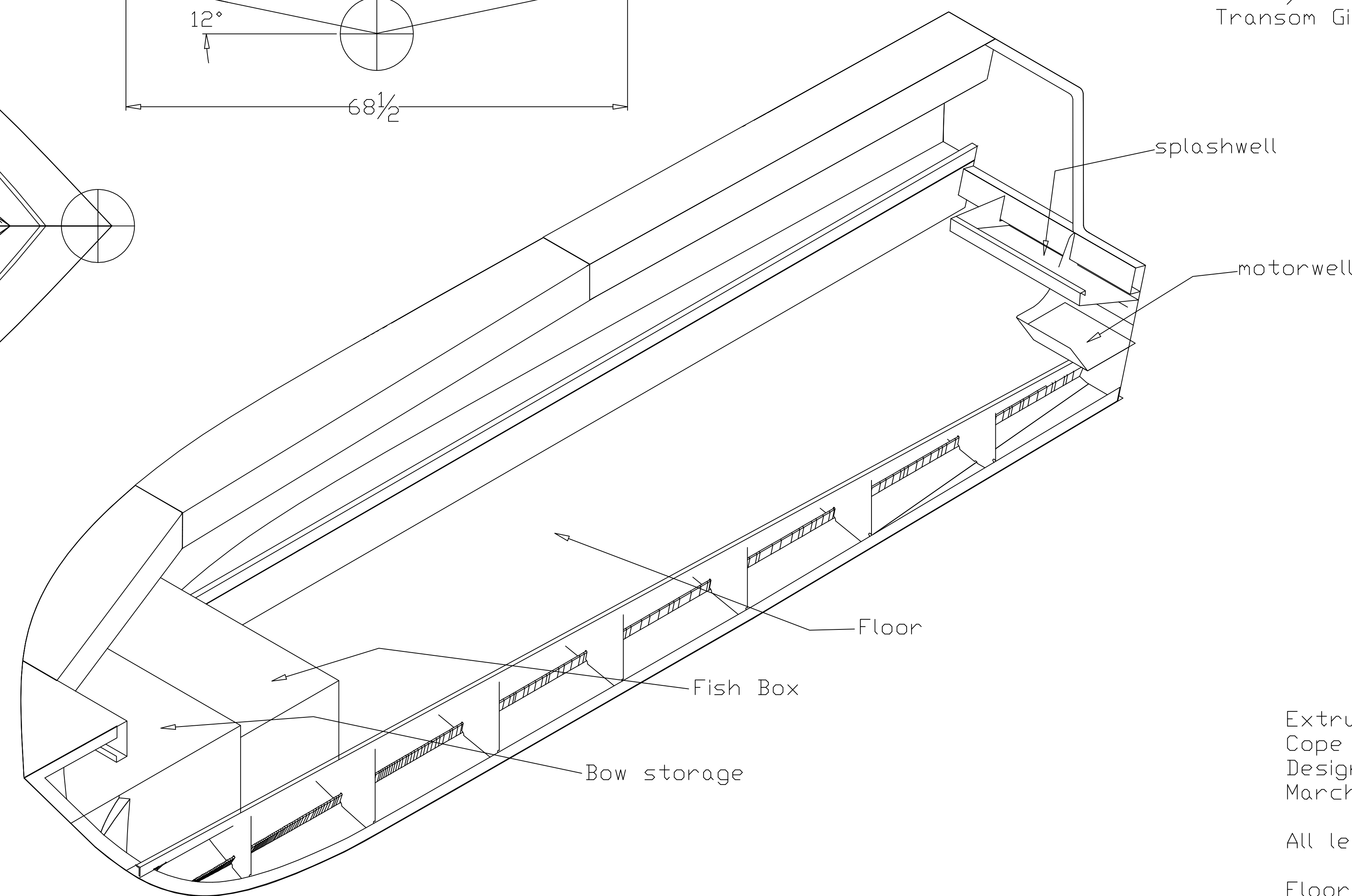
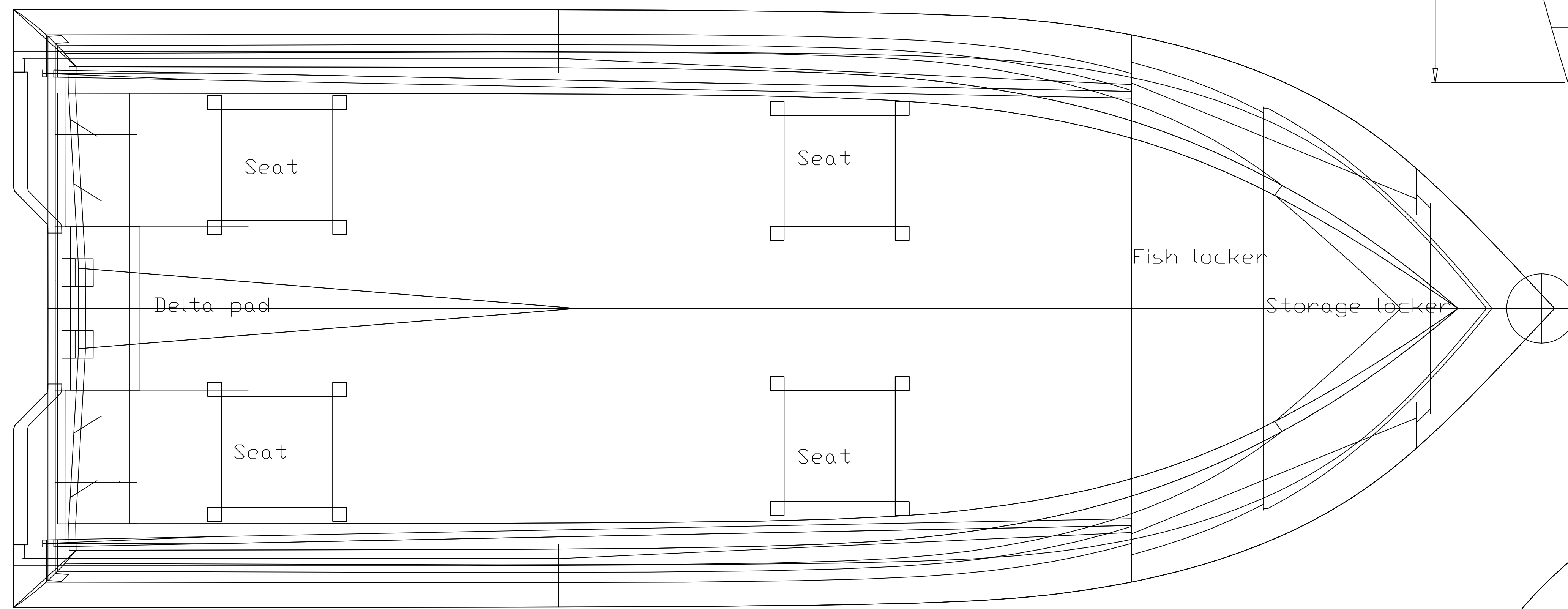
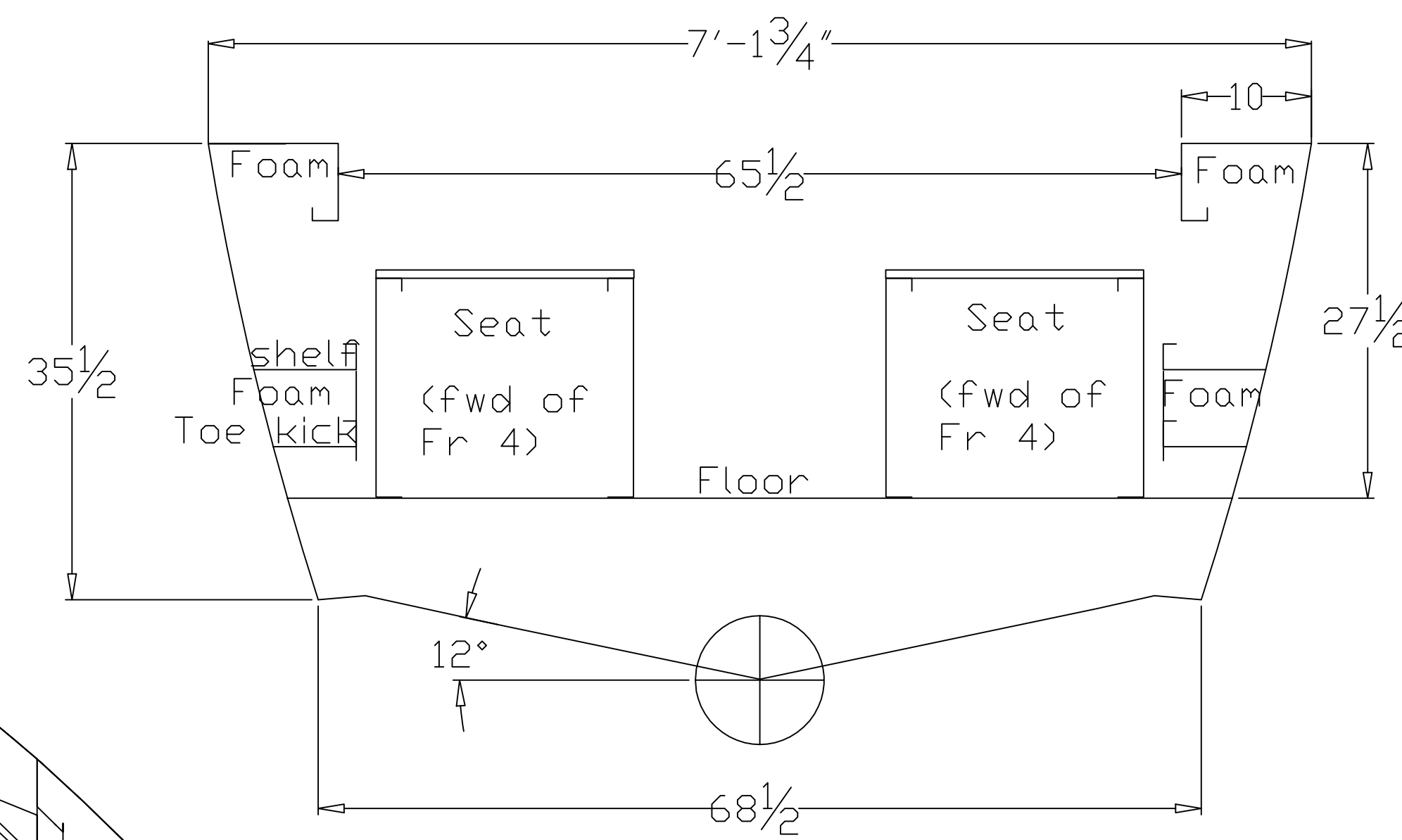
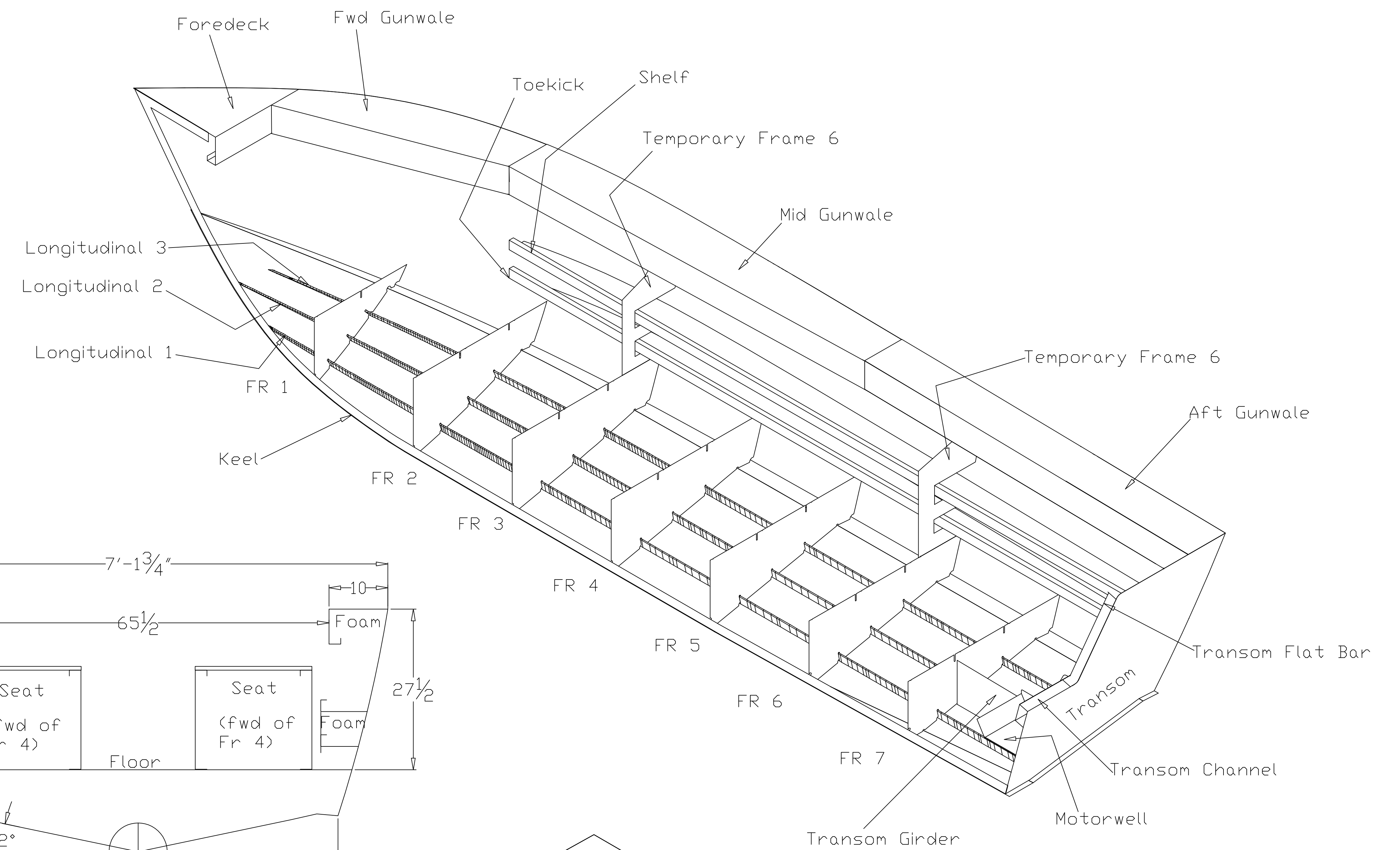
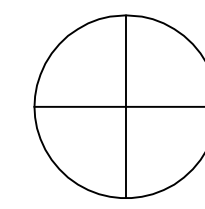
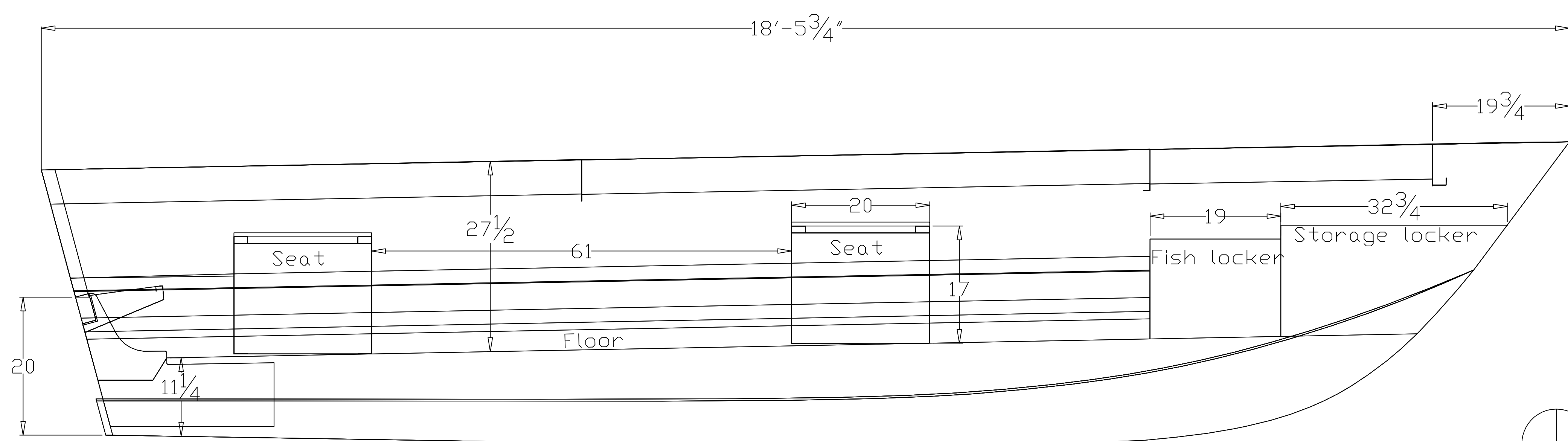


Cope 18ft 6in 12deg deadrise Open Skiff Study Plan Design C046



Aluminum Plate List
Cope 18ft 6in 12deg Open Skiff
Design C046
March 12 2016

3/16" plate
1 sheet= 3/16" x 4ft x 8ft-----5086 H116
1 sheet= 3/16" x 5ft x 20ft-----5052 H32
2 sheets= 3/16" x 4ft x 20ft---5086 H116

5/32" plate
2 sheets= 5/32" x 4ft x 20ft---5086 H116
1 sheet= 5/32" x 4ft x 20ft-----5052 H32
3 sheets= 5/32" x 5ft x 20ft-----5052 H32

There is a total of 10 sheets

Study Plan Cope 18ft 6in 12deg Open Skiff Design C046

Length Hull-----18ft 6in
Beam-----7ft-2in.
Deadrise-----12 degrees
Power-----single 60 hp Outboard
Lightship-----1,795lbs
Fully Loaded-----2,300lbs
condition -- 6US Gal fuel, 2 people, 75lbs ice and fish
Designed by A.B.COPE LTD.
Designer-Bruce Cope
February 20 2016

P 1

JIG PLATE List
Cope 18ft 6in 12deg Open Skiff
Design C046
June 29 2023

1/4" plate (Jig parts only)
1 sheet= 1/4" x 5ft x 12ft-----5052 H32

There is a total of 1 sheet

Extrusion List
Cope 18ft 6in 12deg Open Skiff
Design C046
March 2023

All lengths are 20ft.

Floor stiffener
4 lengths= 3/16" x 1-1/2" x 1-1/2"---6061 T6 angle bar