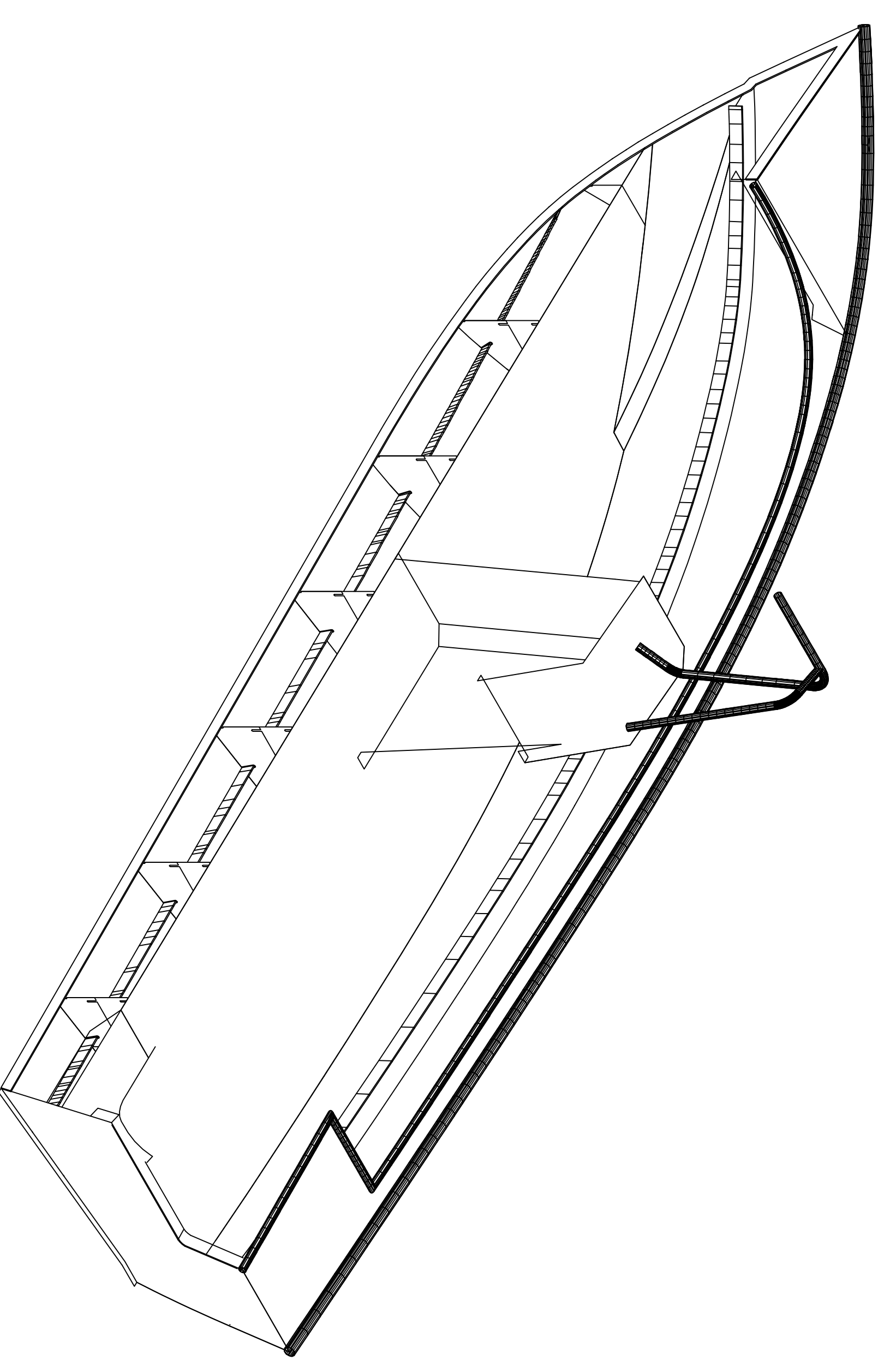
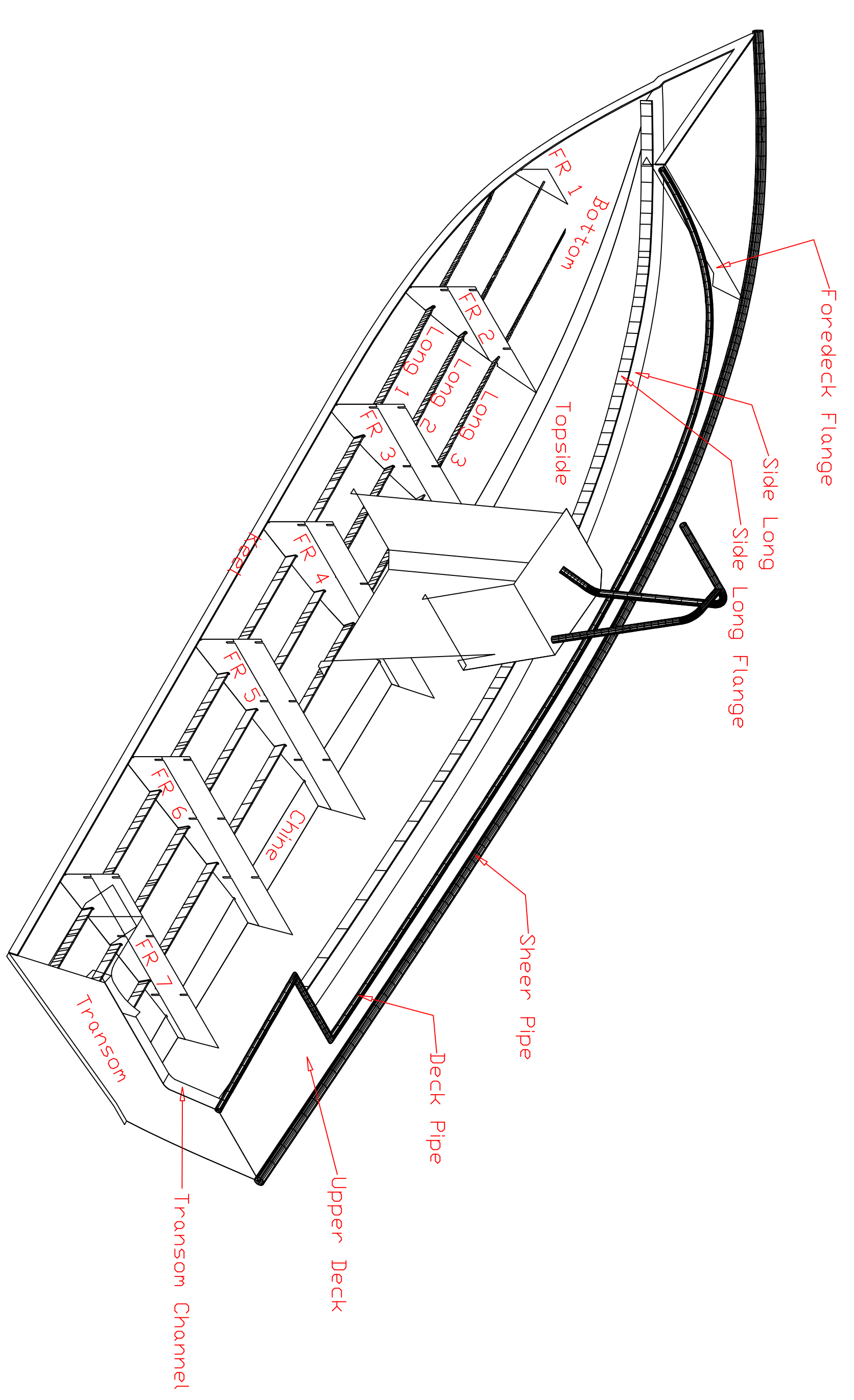
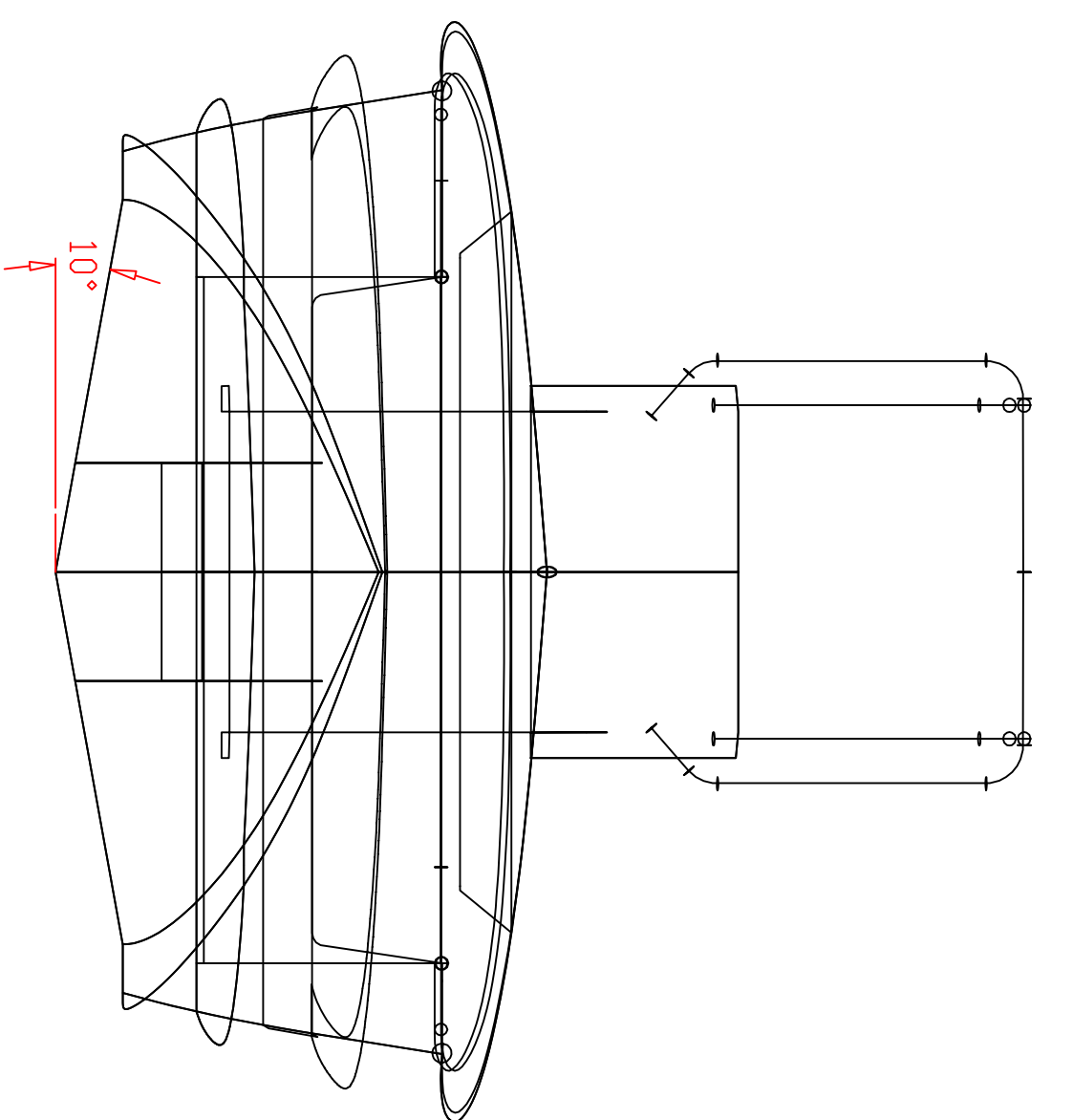
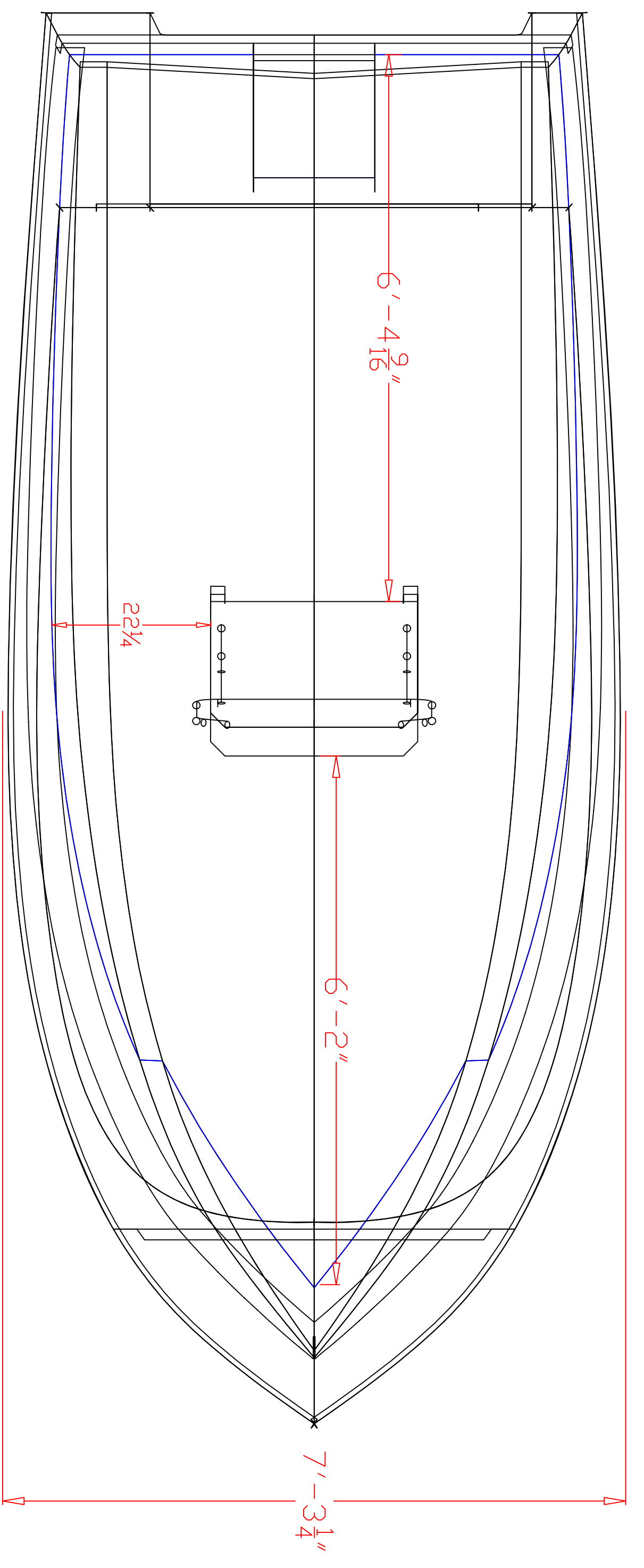
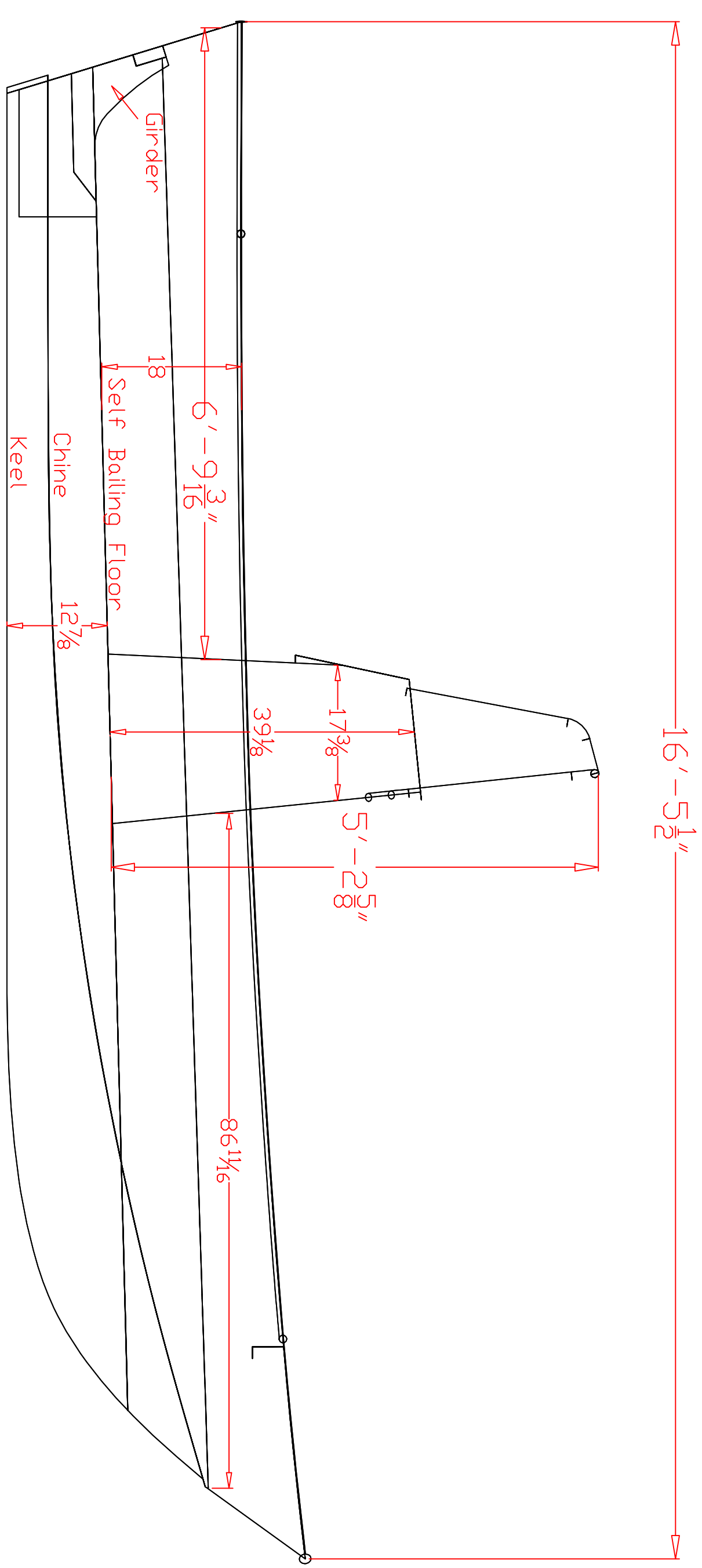


Cope 16ft 6in Barkley Sounder Study Plan



16ft 6in Barkley Sounder
Construction—Aluminum
Measurements—Imperial
LDA-----16ft 5-3/4in
Beam-----7ft 3-3/4in
Draft-----10.3 degrees
Designed by A.B.COPE LTD,
Designer—Bruce Cope
June 16 2015

Plate List
Cope 16ft 6in Barkley Sounder
Self-bailing floor
Remote steering
June 12 2015

- 1/8" Plate: 1 sheets 1/8"x5ftx20ft --- Alloy 5052 H32
- 3/8" Plate: 1 sheets 3/8"x4ftx20ft --- Alloy 5052 H32
- 3/8" Plate: 3 sheets 3/8"x5ftx20ft ---Alloy 5052 H32
- 3/8" Plate: 1 sheet 3/8"x5ftx20ft ---Alloy 5052 H32
- Total number of plates: 6