

Cope 16ft 6in Barkley Sounder Self-Bailing Floor Center Console
 Design C002
 Study Plan

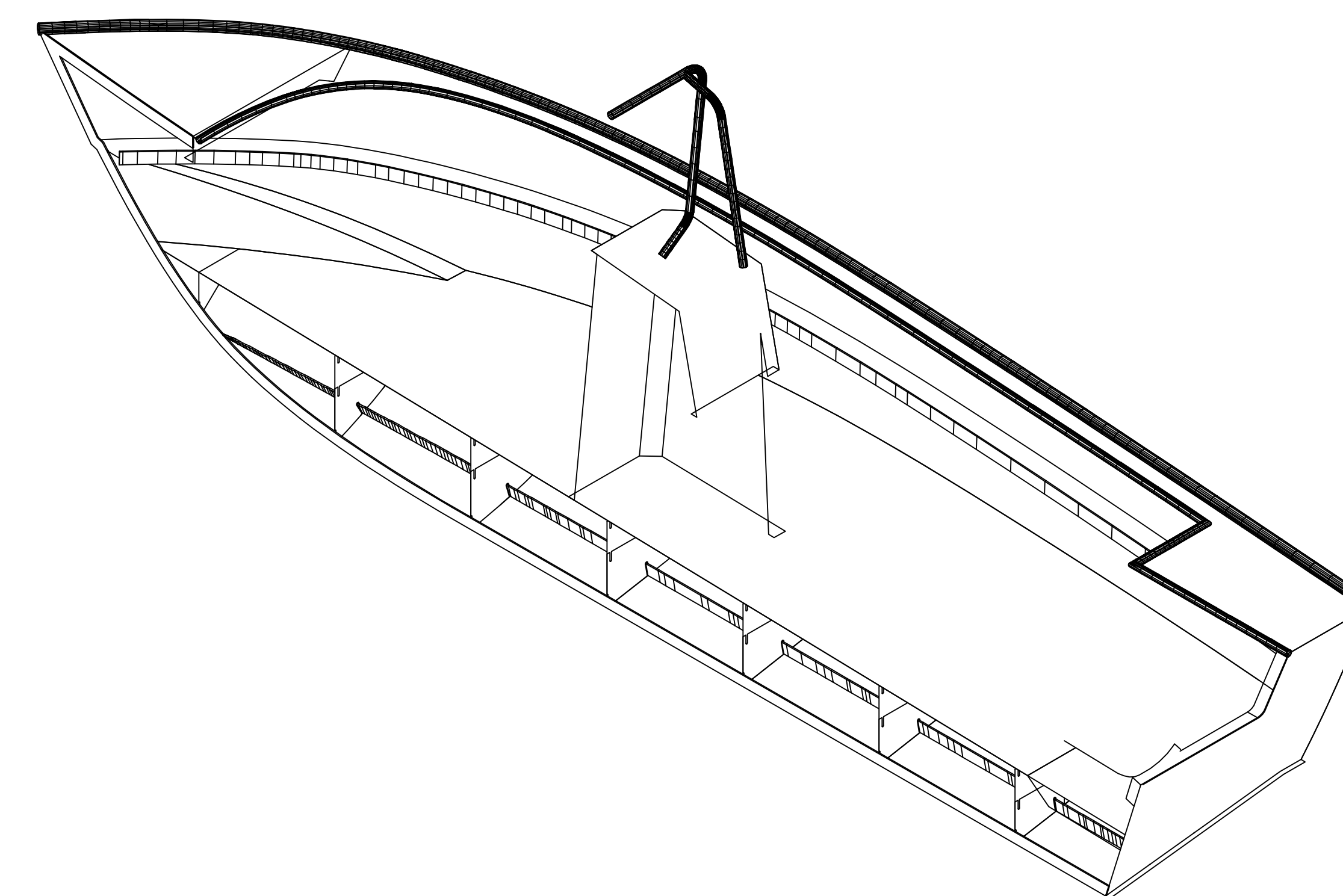
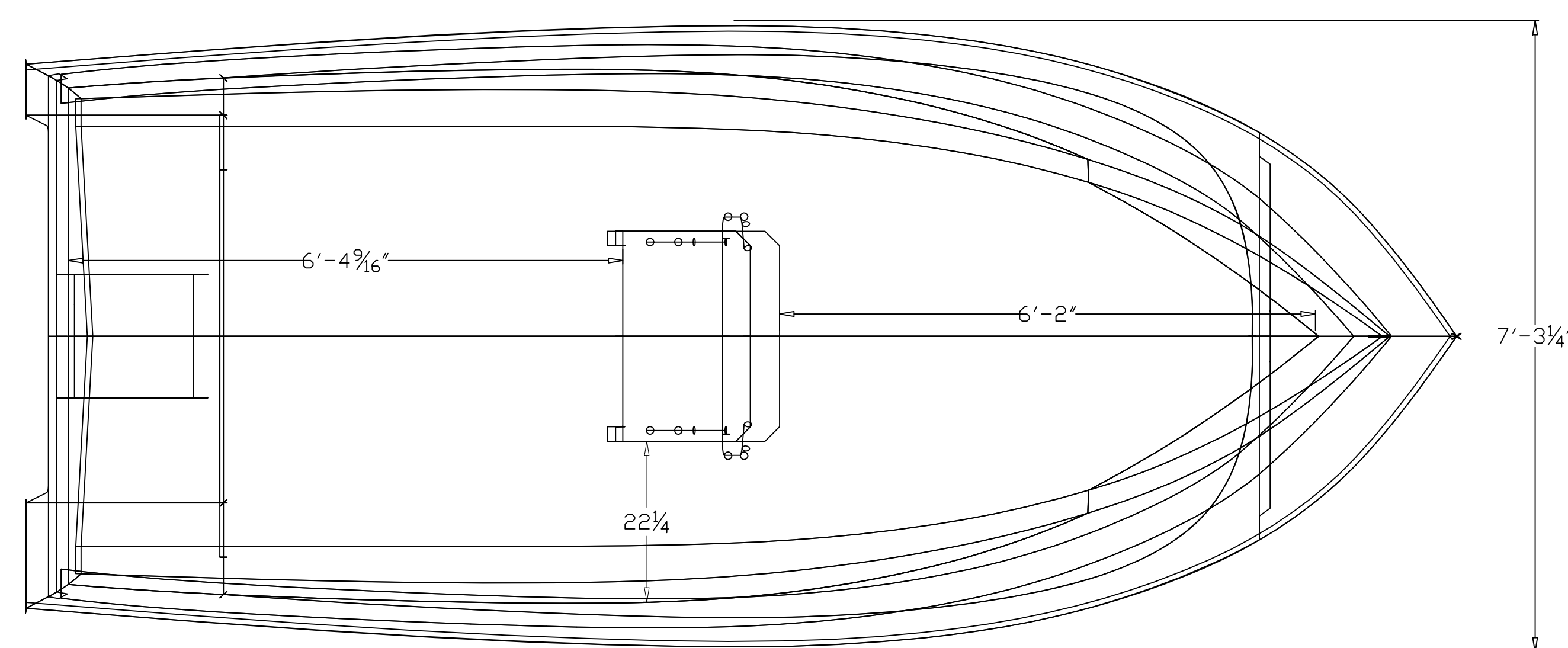
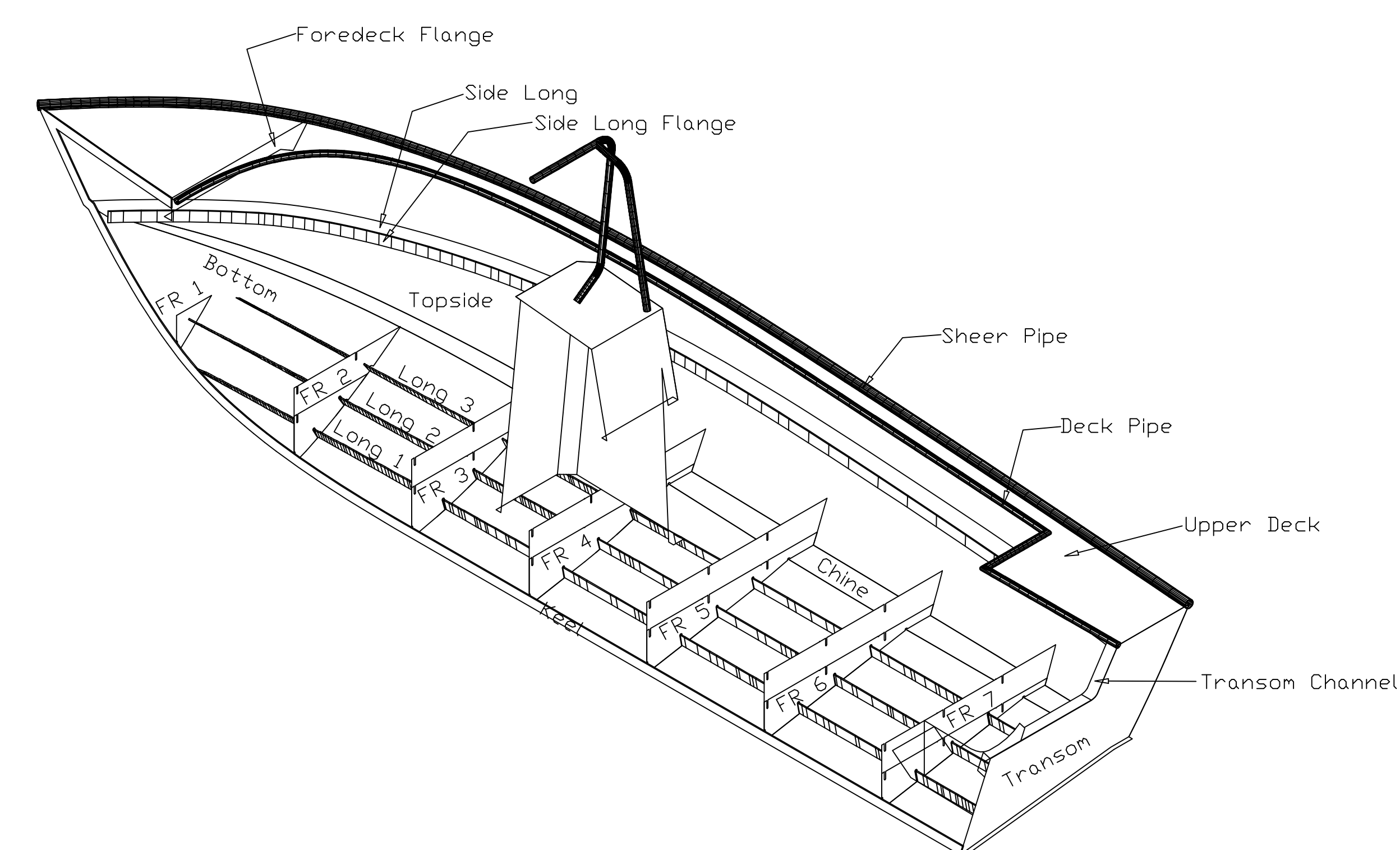
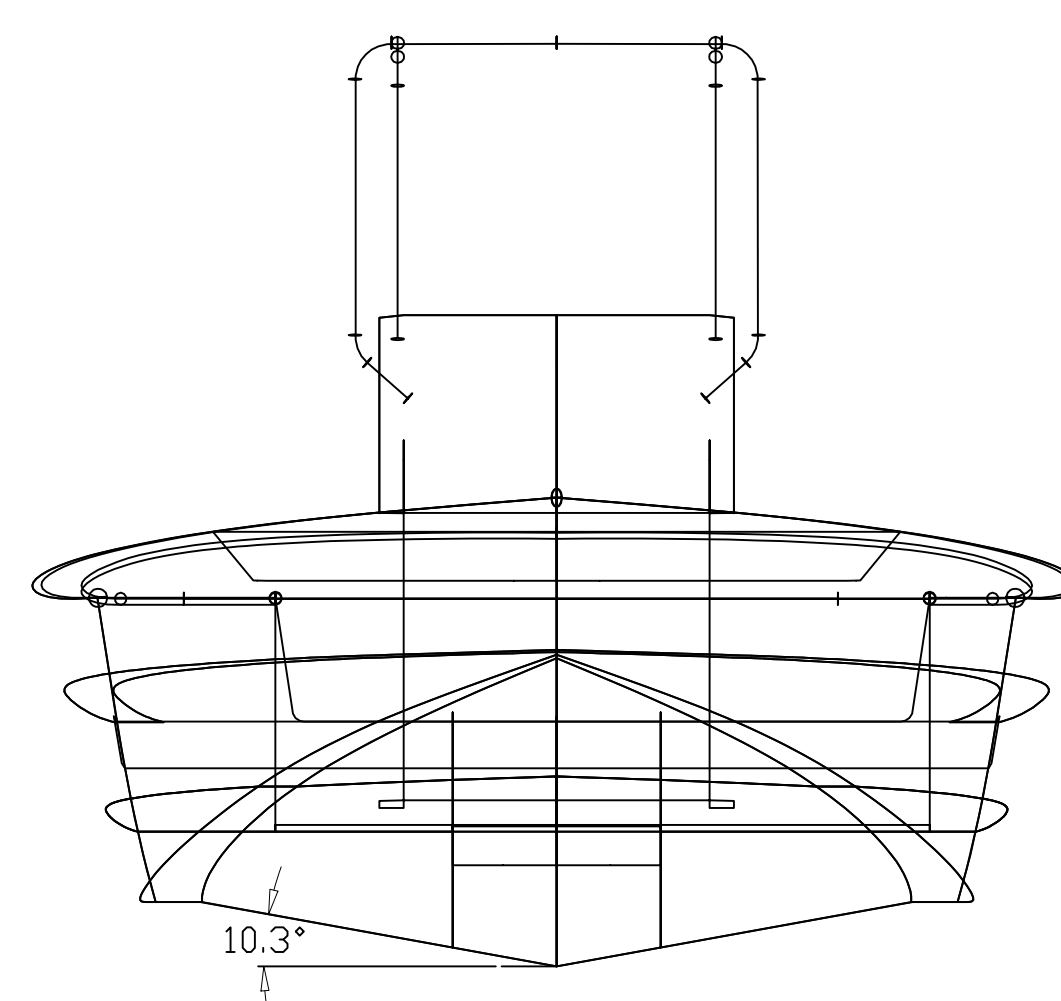
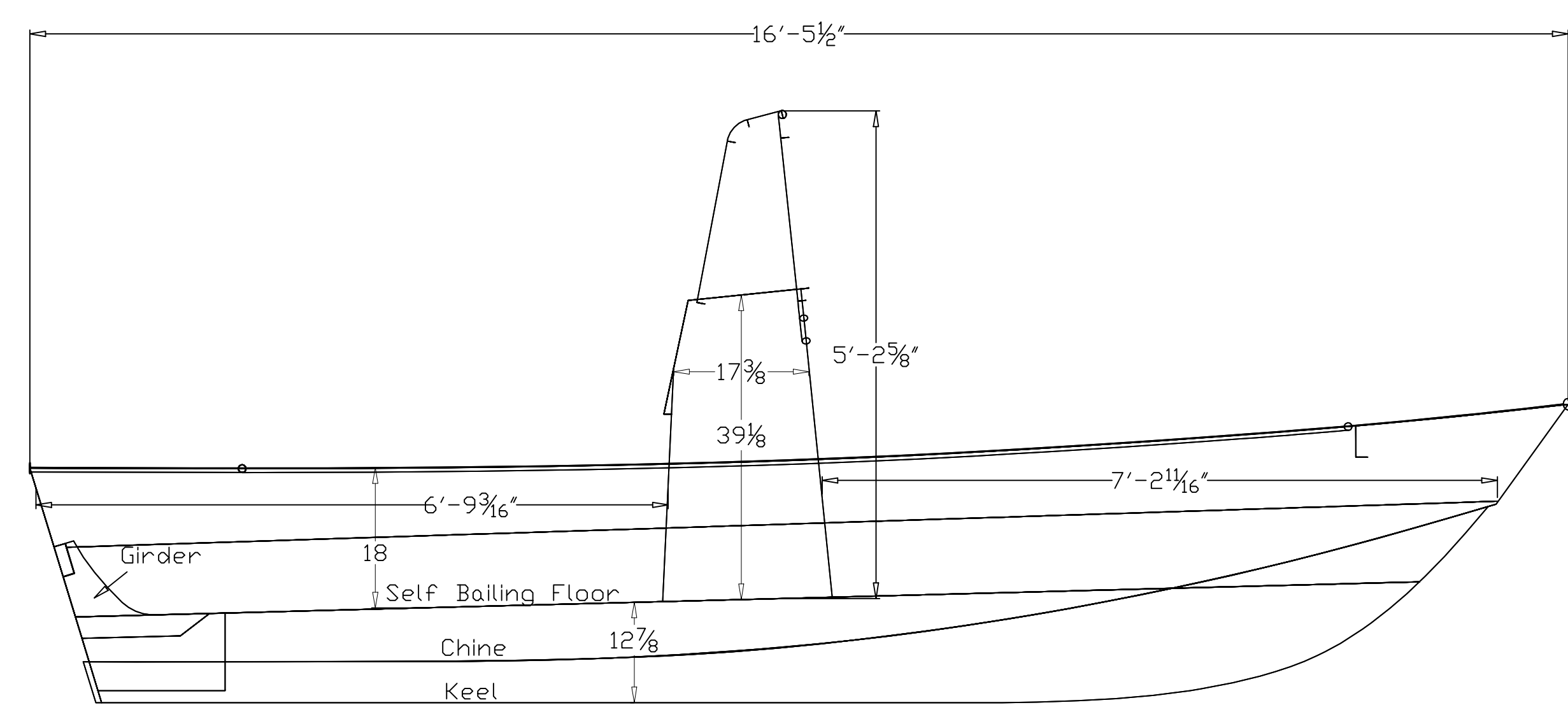


Plate List

Cope 16ft 6in Barkley Sounder Center Console
 Self-bailing floor
 Remote steering
 Design C002
 June 12 2015

1/8" Plate:
 1 sheets 1/8"x5ftx20ft --- Alloy 5052 H32

3/32" Plate:
 1 sheets 3/32"x4ftx20ft --- Alloy 5052 H32
 3 sheets 3/32"x5ftx20ft ---Alloy 5052 H32

3/16" Plate:
 1 sheet 3/16"x5ftx20ft ---Alloy 5052 H32

Total number of plates: 6

Extrusion List

Cope 16ft 6in Barkley Sounder
 February 11-2021

2 lengths 20ft of 3/4" sched. 40 pipe -6063 T5
 2 lengths 20ft of 1" sched. 40 pipe -6063 T5
 4 lengths 20ft of 3/16" X 1-1/2" X 1-1/2" angle bar 6061 T6

16ft 6in Barkley Sounder
 Self-bailing Floor Cen Con
 Design C002
 STUDY PLAN

Construction-Aluminum-----Measurements-Inperial

LDA-----16ft 5-1/2in
 Beam-----7ft 3-1/2in
 Deadrise-----10.3 degrees

Designed by A.B.COPE LTD.
 Designer-Bruce Cope
 June 16 2015