

# Cope 17ft Center Console Study Plan

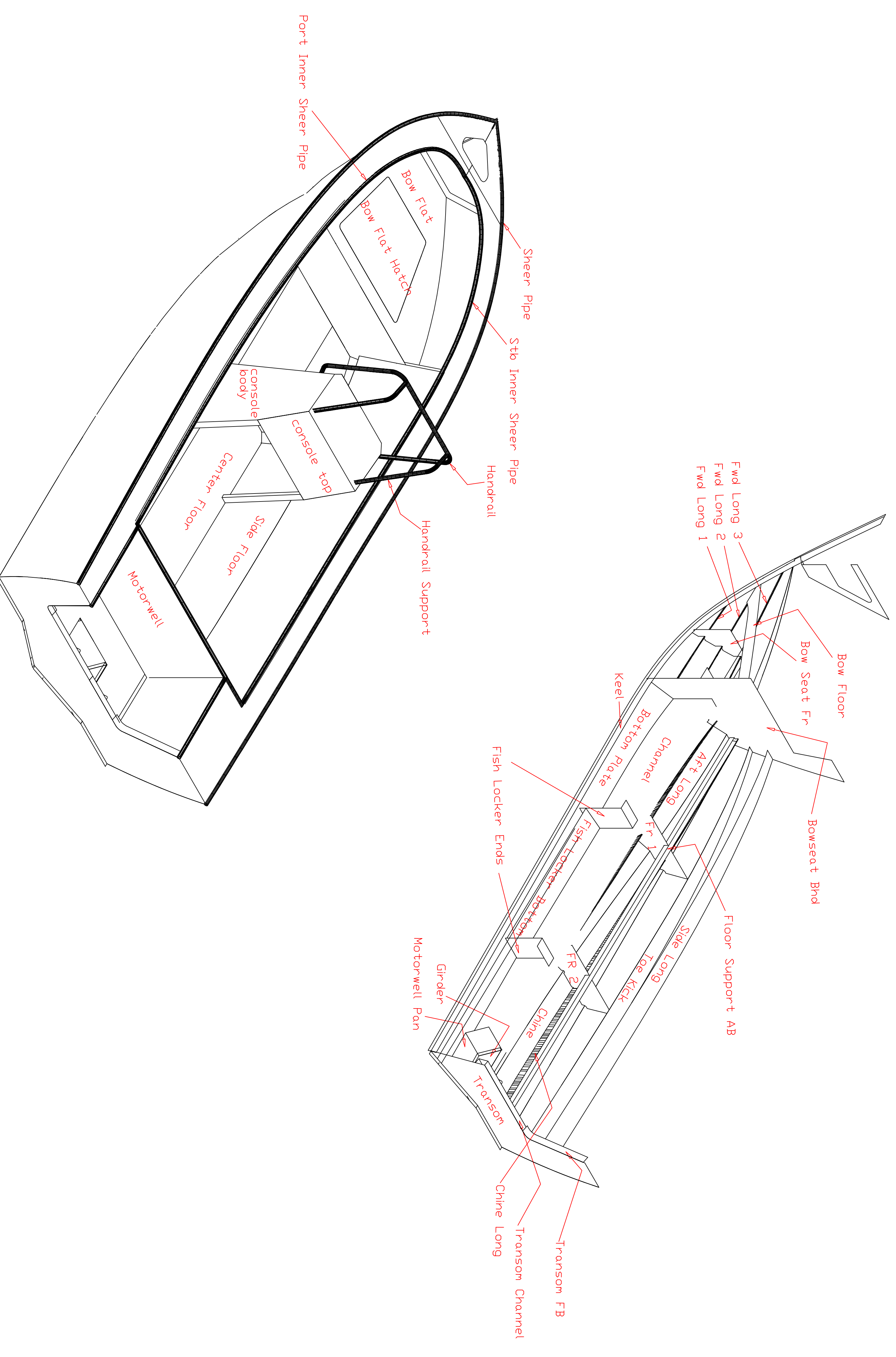
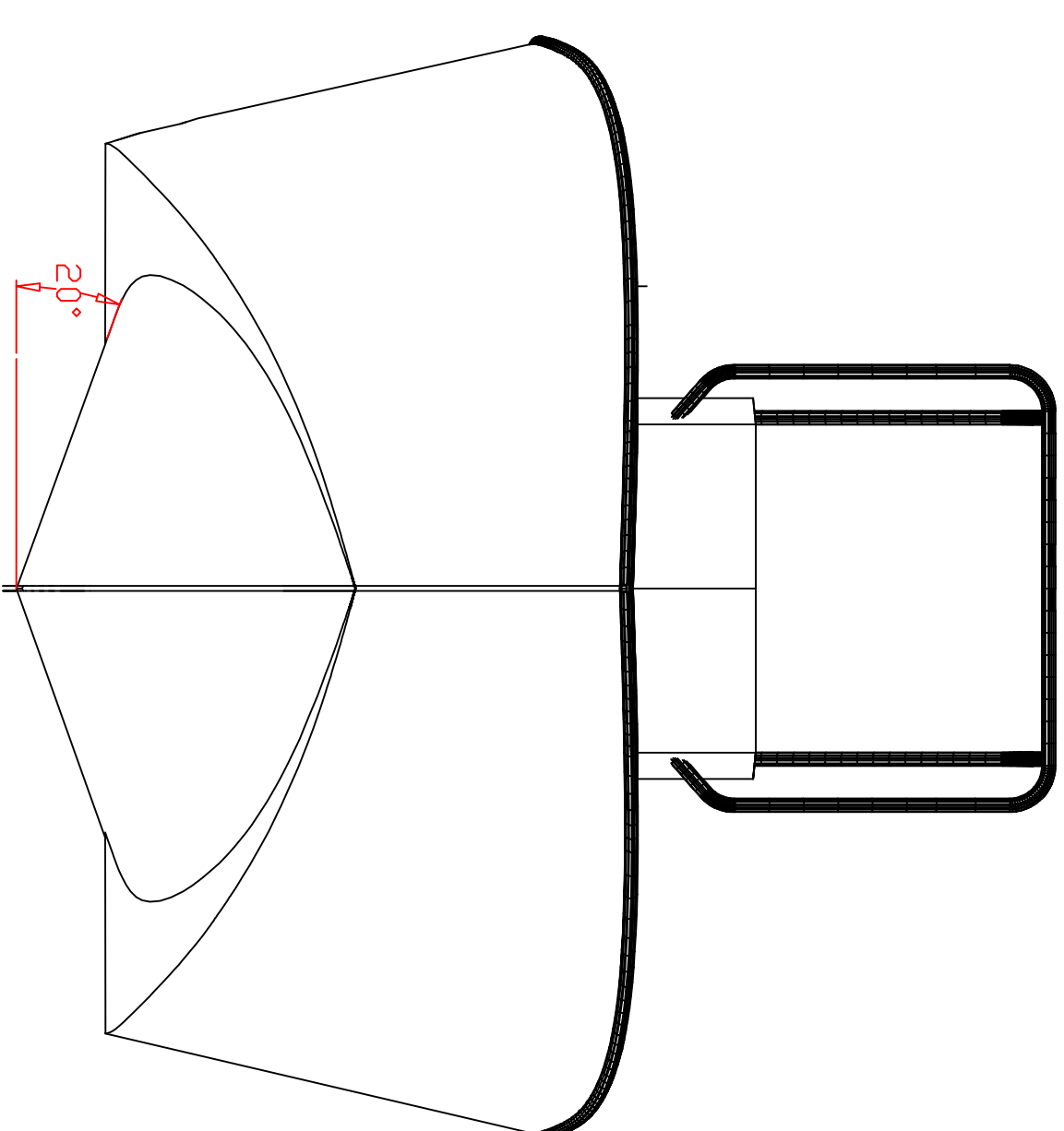
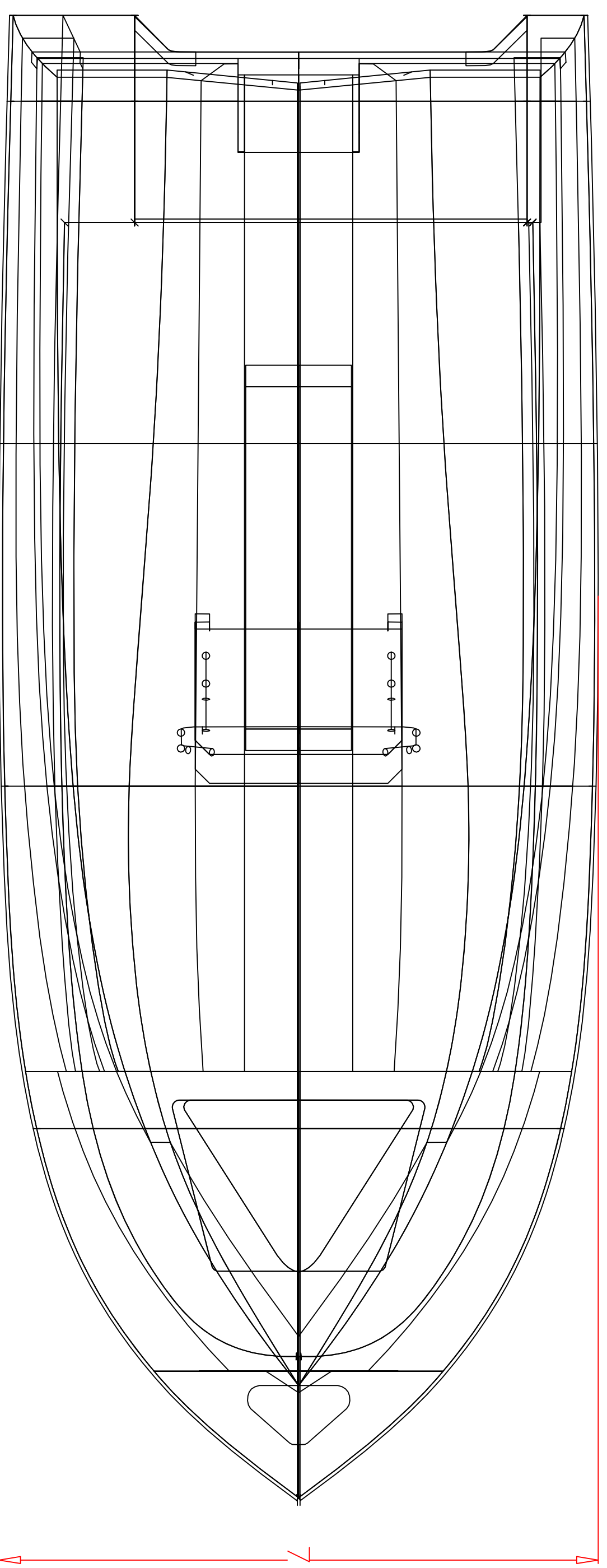
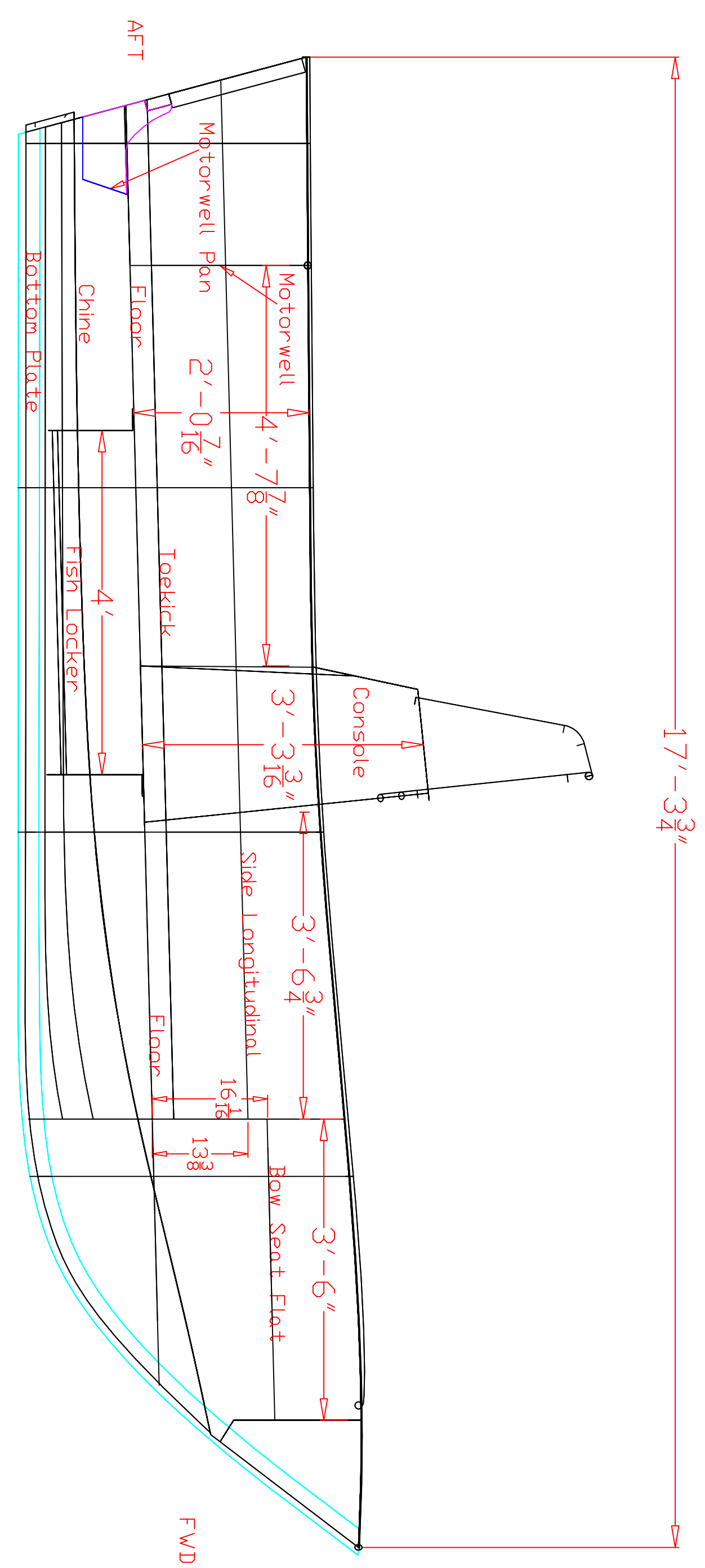


Plate List

Cope 17ft Center Console  
June 16 2015

1/2" Plate @ 8'x5ftx20ft	-----	S052 H32
2 sheets @ 8'x5ftx20ft	-----	S052 H32
1/2" Plate @ 4ftx10ft	-----	S052 H32
1 sheet @ 4ftx10ft	-----	S052 H32
3/8" Plate @ 5ftx12ft	-----	S052 H32
1 sheet @ 5ftx12ft	-----	S052 H32
100 Plate @ 5ftx20ft	-----	S052 H32
1 sheet @ 5ftx20ft	-----	S052 H32
3/8" Plate @ 4ftx12ft	-----	S052 H32
2 sheets @ 4ftx12ft	-----	S052 H32
5 sheets @ 4ftx20ft	-----	S052 H32
1/4" Plate @ 4ftx20ft	-----	S052 H32
1 sheet @ 4ftx20ft	-----	S052 H32
Total Sheets = 13		

Cope 17ft Center Console  
Construction-Aluminum  
Measurements-Imperial  
LDA-----17ft 3-3/4in  
Beam-----6ft 11in  
Deckrise----- 20 degrees  
Designed by A.B.COPE LTD.  
Designer-Bruce Cope  
June 17 2015  
Scale--3/4"=1ft.