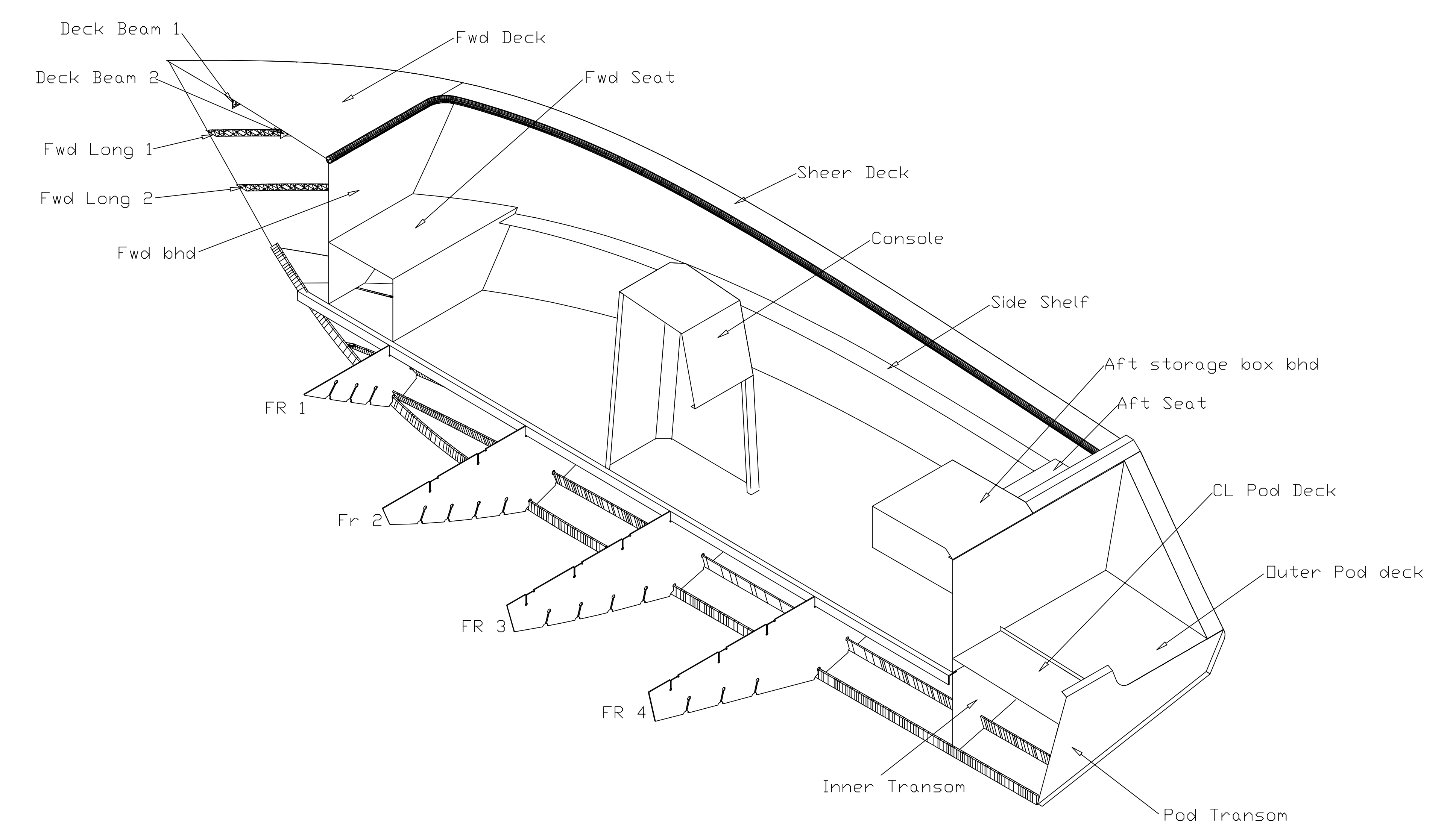
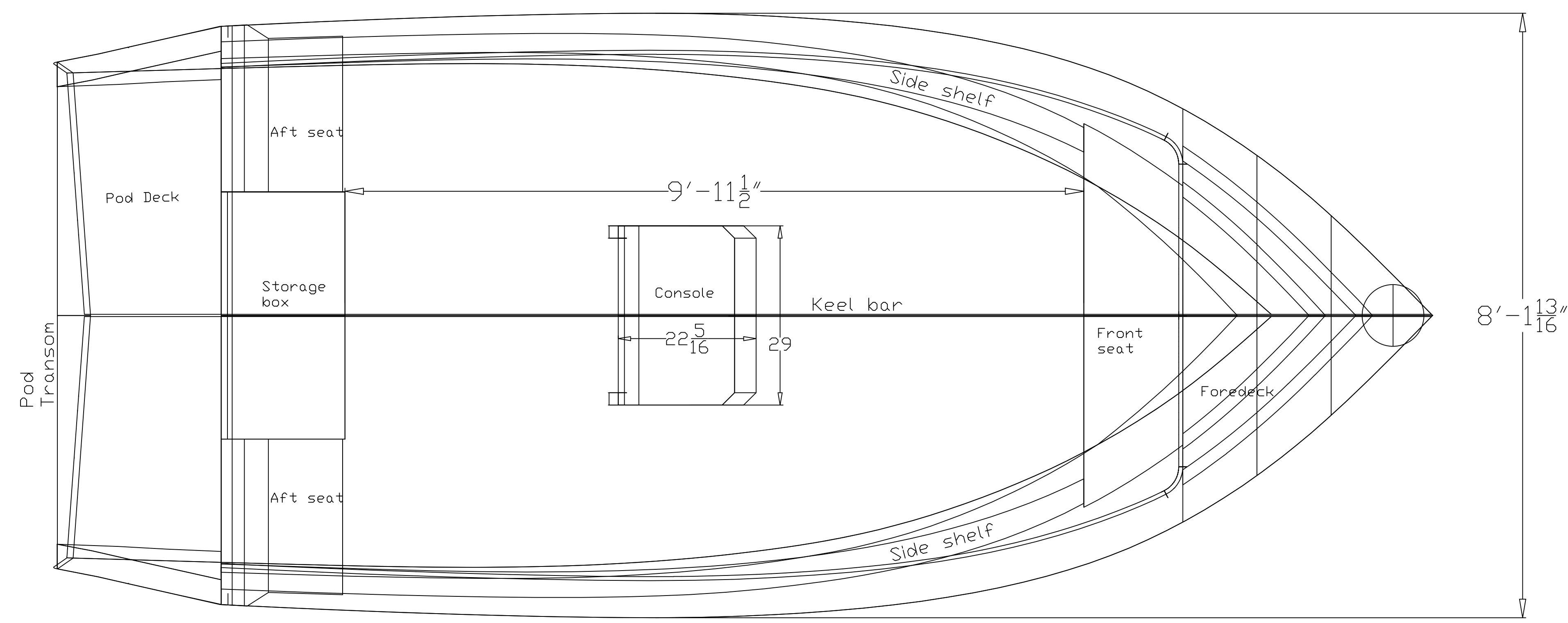
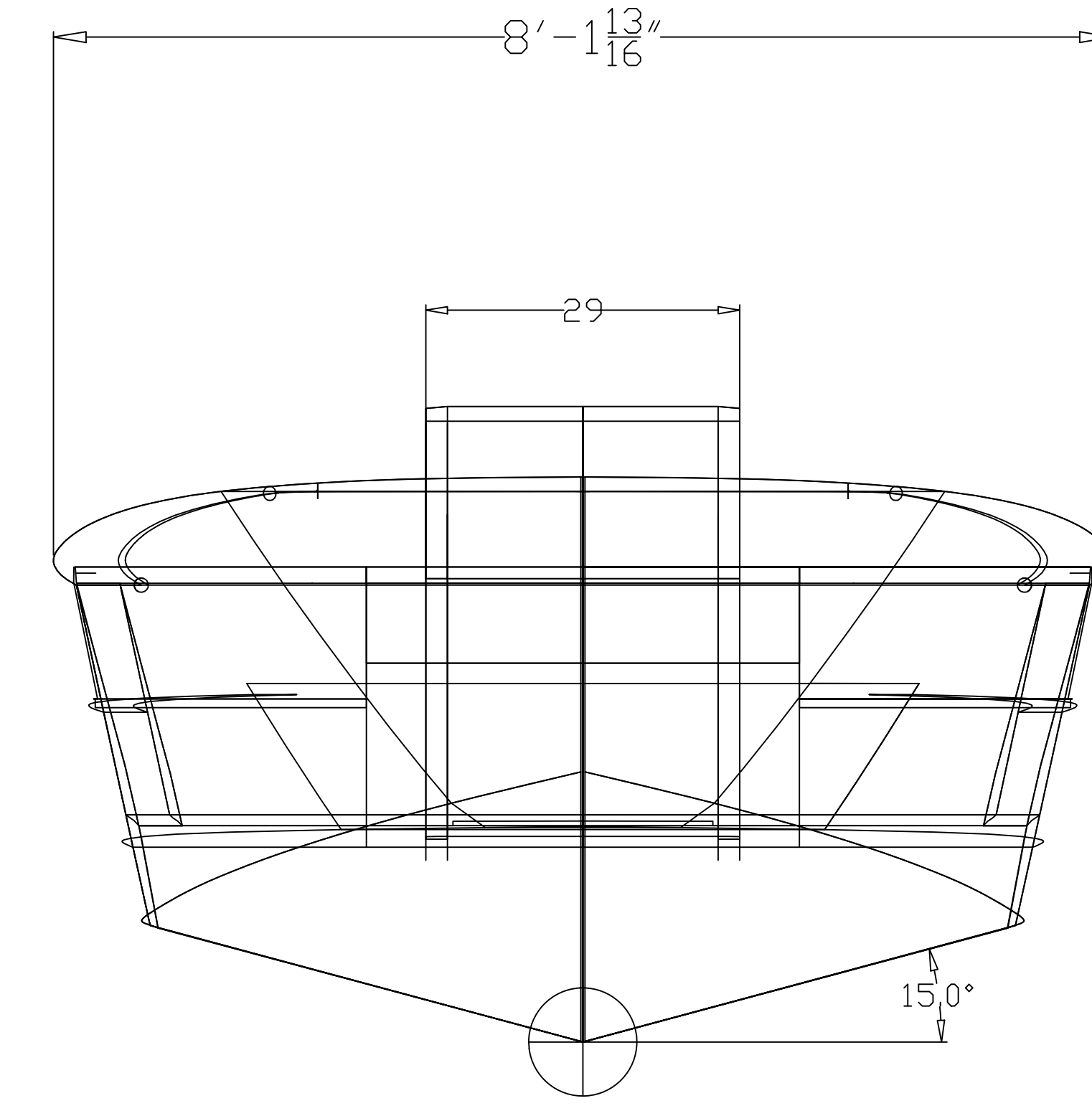
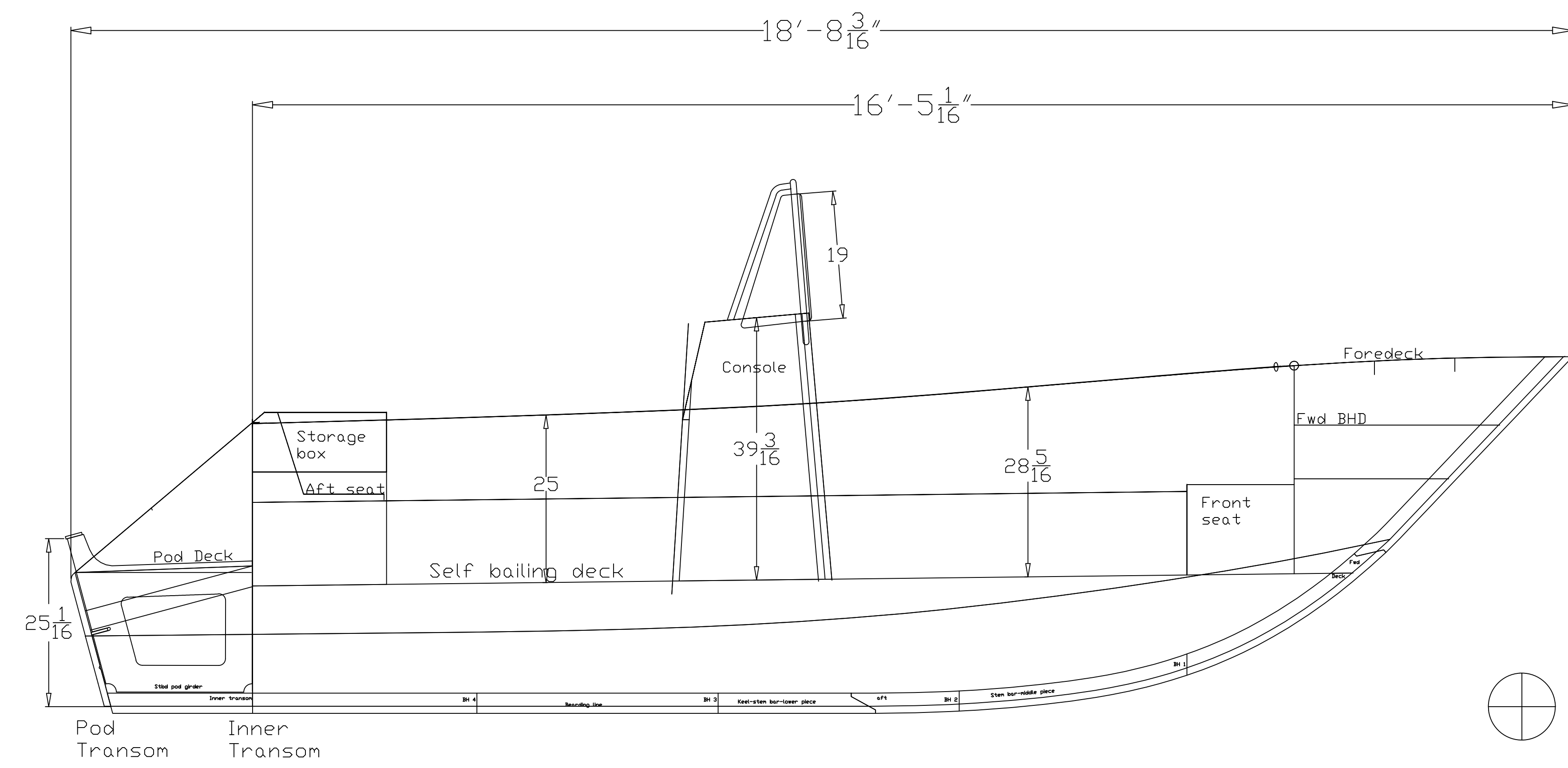


COPE - MALASPINA 18 CENTER CONSOLE RAISED SHEER (25" Pod Transom) DESIGN C003A STUDY PLAN



Cope-Malaspina 18 Cen Con
Raised Sheer Model
Design C003A
Study Plan: Feb 2019

Length-----18 ft 8 in.
Beam incl gunwale pipes--8 ft 4 in.
Displacement-----2,840 lbs
Dwl-----14ft 7in
Deadrise-----15 degrees
Power-----Max-115 HP

Designed by A.B.COPE LTD.
Designer-Bruce Cope
August 2006

Cope Plate List
Malaspina 18 Center Console
Raised Sheer Model
Design C003A
August 9-2006

Modified with Box Seat
on March 21-2017

- 1/4" plate
1 sheet = 3/4"x4ftx20ft-----5086 H116
 - 3/16" plate
2 sheets = 3/16"x4ftx20ft---5056 H116
1 sheets = 3/16"x5ftx20ft---5052 H32
 - 3/32" plate
1 sheet = 3/32"x5ftx20ft-----5052 H32
2 sheets = 3/32"x4ftx20ft-----5052 H32
2 sheets = 3/32"x4ftx20ft-----5052H32
- Total # of plates =9

Extrusion List for
Malaspina 18 Center Console
Raised Sheer Model
Design C003A

- All lengths are 20 ft.
- 2 lengths = 2 inch sch 40 half pipe--6061T6---gunwales
 - 5 lengths = 3/16"x2"x2"--6061T6 angle bar---deck longitudinals
 - 2 lengths = 3/4" sch 40 pipe--6063-T5---hand rails & bow rails.
 - 2 lengths = 1" sch 40 pipe--6063-T5-----Inside deck trim
 - 1 length = 1/2" sched. 40 pipe--6063T5-----console hand rail
 - 2 lengths = 3/16"x2"x1"--6063 T5 angle bar-----chine flats
 - 1 length = 3/8"x2-1/2"--6061T6 flat bar-----motor mount
 - 2-1/2 ft. of 3/8"x3"x2-1/2"--6061T6 angle bar---motor mount