

# COPE 26FT CENTER CONSOLE

## Design C070

### Study Plan

ALUMINUM PLATE LIST  
COPE 26ft CENTER CONSOLE WITH JIG PARTS  
Design C070  
AUGUST 10 - 2018

**1/4" PLATE**  
4 sheets = 1/4" X 4FT X 25FT-----ALLOY 5086 H116  
1 sheet = 1/4" X 5FT X 20FT-----ALLOY 5086 H116  
2 sheets = 1/4" X 5FT X 20FT-----ALLOY 5052 H32  
2 sheets = 1/4" X 4FT X 12FT-----ALLOY 5052 H32

**3/8" PLATE**  
1 sheet = 3/8" X 5FT X 10FT-----ALLOY 5086 H116

**3/16" PLATE**  
2 sheets = 3/16" X 5FT X 27FT 9 INCH--ALLOY 5086 H116  
1 sheet = 3/16" X 5FT X 12FT -----ALLOY 5052 H32

**3/32" PLATE**  
6 sheets = 3/32" X 5FT X 20FT-----ALLOY 5052 H32  
2 sheets = 3/32" X 4FT X 20FT-----ALLOY 5052 H32

**1/8" PLATE**  
1 sheet = 1/8" X 5FT X 20FT-----ALLOY 5052 H32

There is a total of 22 sheets.

ALUMINUM PLATE LIST  
COPE 26ft CENTER CONSOLE WITHOUT JIG PARTS  
Design C070  
JULY 26 - 2018

**1/4" PLATE**  
4 sheets = 1/4" X 4FT X 25FT-----ALLOY 5086 H116  
1 sheet = 1/4" X 5FT X 20FT-----ALLOY 5086 H116  
1 sheet = 1/4" X 4FT X 12FT-----ALLOY 5052 H32

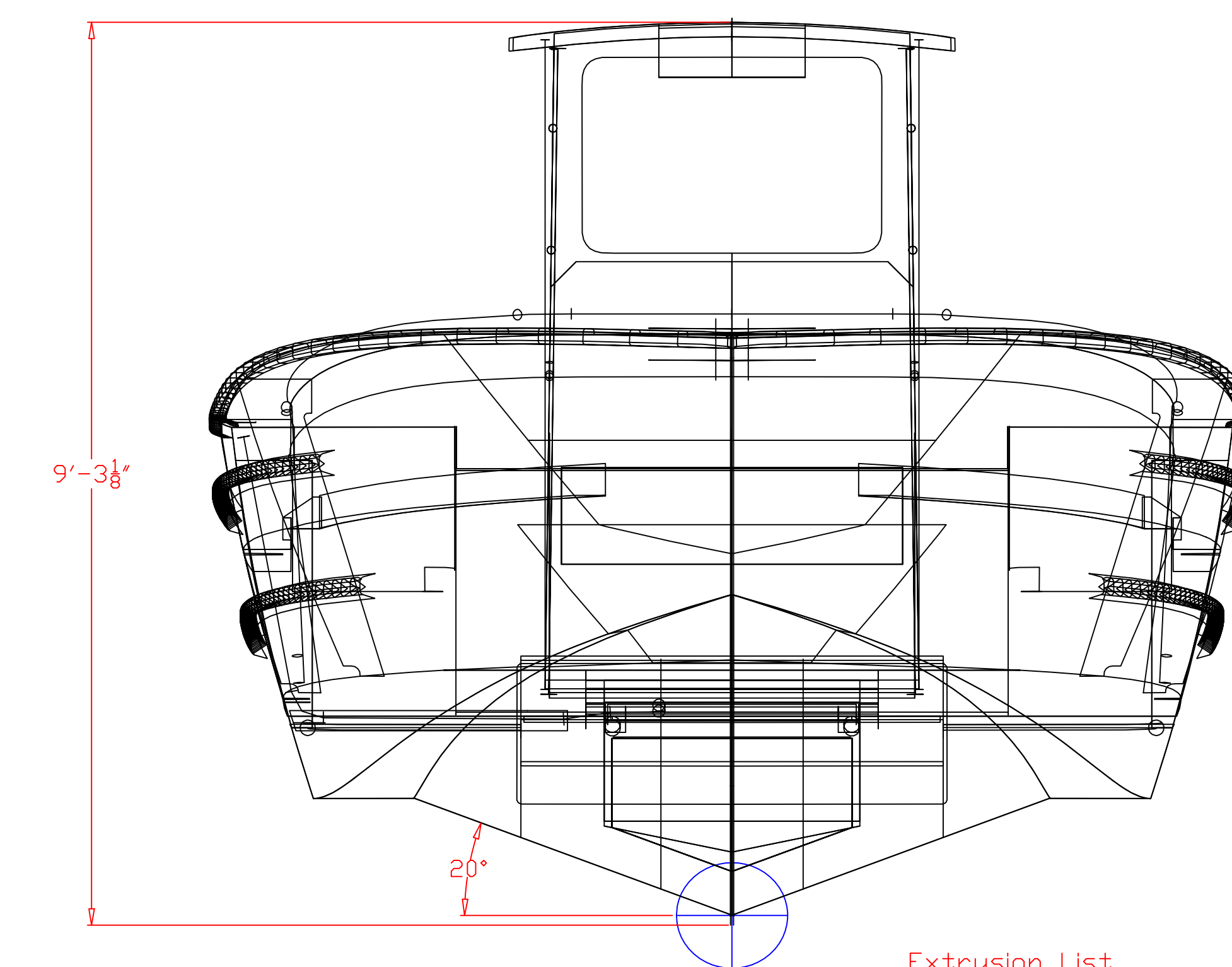
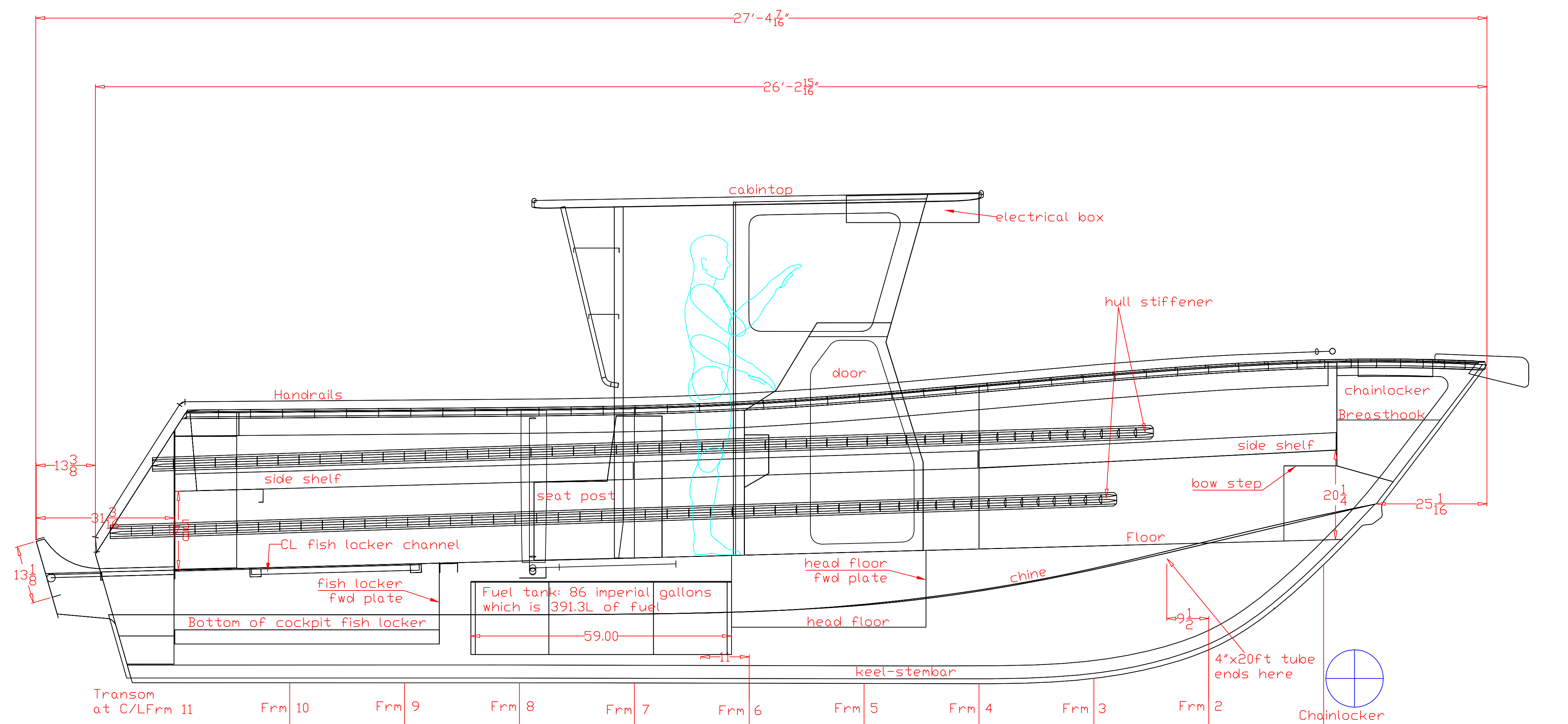
**3/8" PLATE**  
1 sheet = 3/8" X 5FT X 10FT-----ALLOY 5086 H116

**3/16" PLATE**  
2 sheets = 3/16" X 5FT X 27FT 9 INCH--ALLOY 5086 H116  
1 sheet = 3/16" X 5FT X 12FT -----ALLOY 5052 H32

**3/32" PLATE**  
6 sheets = 3/32" X 5FT X 20FT-----ALLOY 5052 H32  
2 sheets = 3/32" X 4FT X 20FT-----ALLOY 5052 H32

**1/8" PLATE**  
1 sheet = 1/8" X 5FT X 20FT-----ALLOY 5052 H32

There is a total of 19 sheets.



Extrusion List  
Cope 26ft Center Console  
Design C070  
August 10 2018

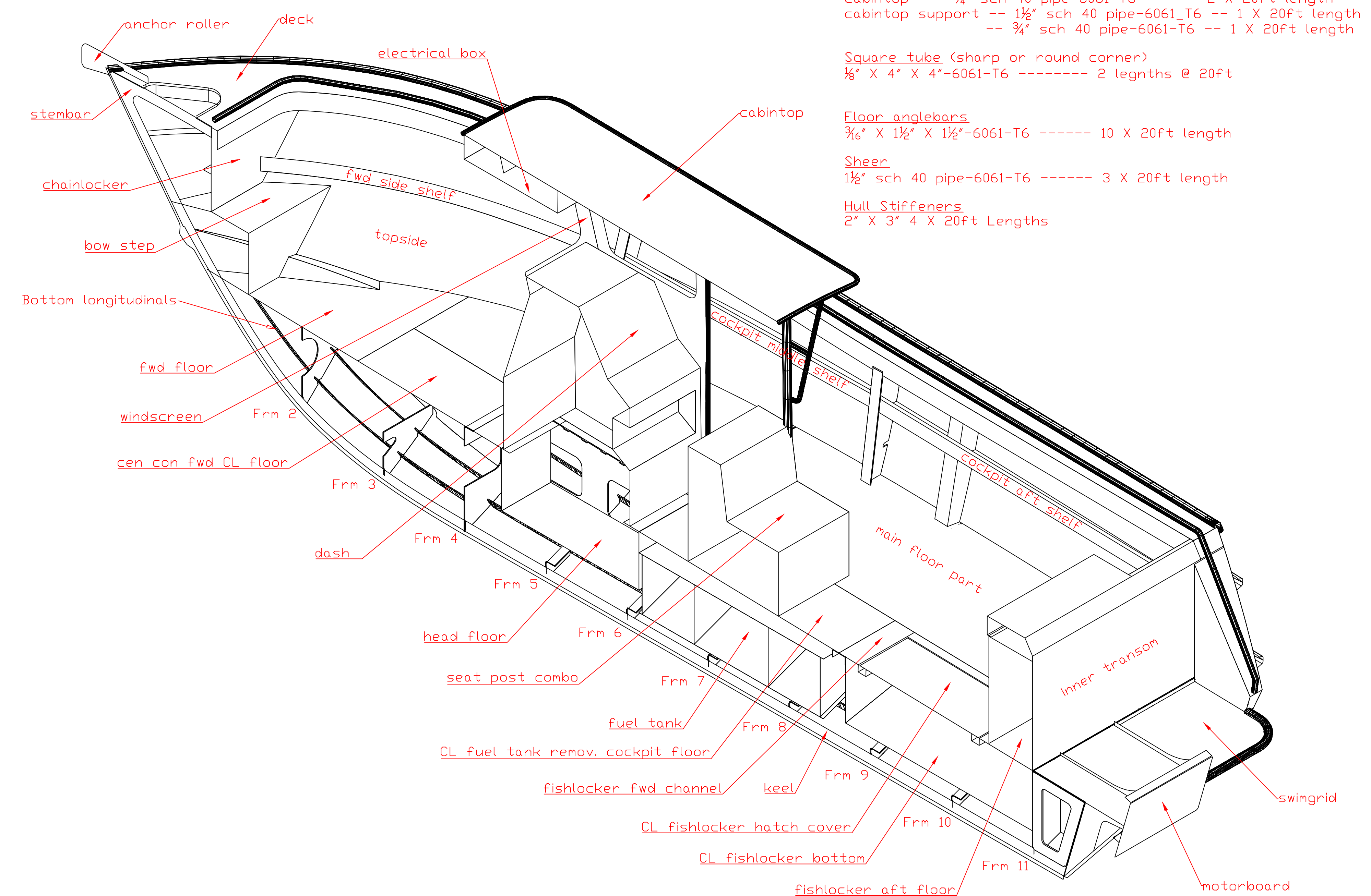
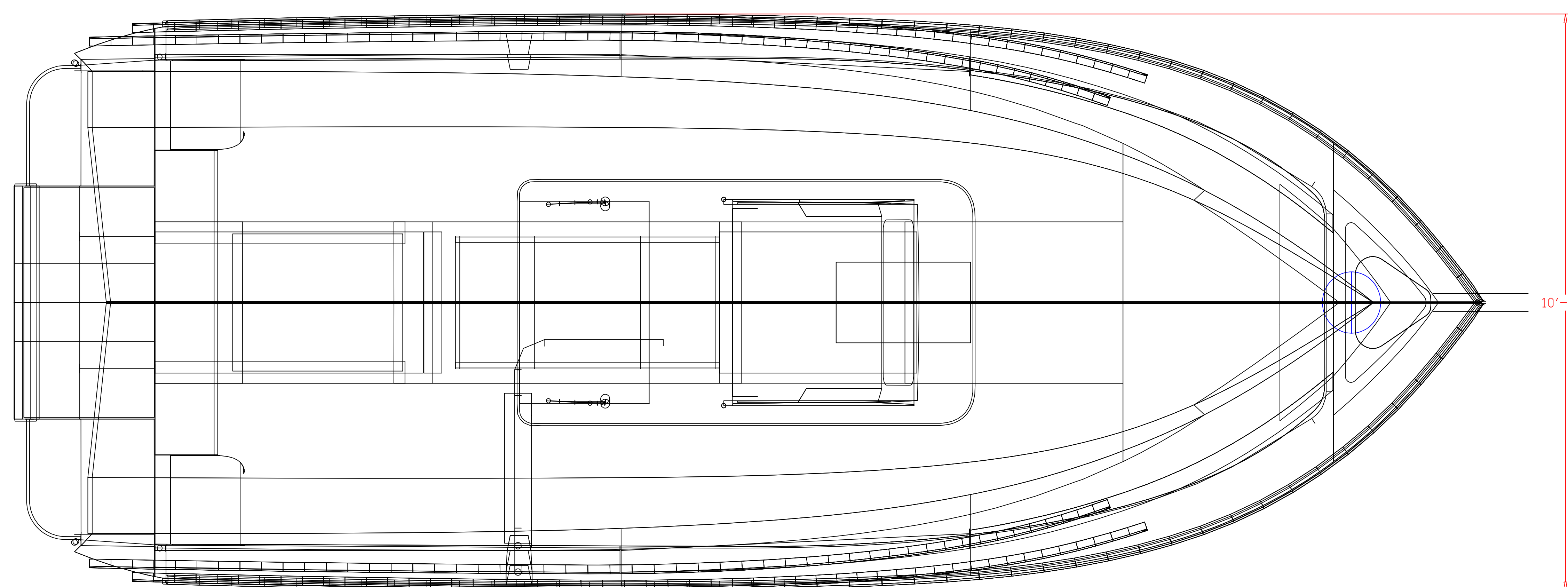
Pipe  
handrails --- 1/2" sch 40 pipe-6061-T6 ----- 1 X 20ft length  
cabintop --- 3/4" sch 40 pipe-6061-T6 ----- 2 X 20ft length  
cabintop support -- 1 1/2" sch 40 pipe-6061-T6 -- 1 X 20ft length  
-- 3/4" sch 40 pipe-6061-T6 -- 1 X 20ft length

Square tube (sharp or round corner)  
1/2" X 4" X 4"-6061-T6 ----- 2 lengths @ 20ft

Floor anglebars  
3/16" X 1 1/2" X 1 1/2"-6061-T6 ----- 10 X 20ft length

Sheer  
1 1/2" sch 40 pipe-6061-T6 ----- 3 X 20ft length

Hull Stiffeners  
2" X 3" 4 X 20ft Lengths



Cope 26ft Center Console  
Design C070  
LOA-----27ft 4in.  
Beam-----10ft 6in.  
Deadrise-----20 degrees  
Displacement-Lightship-----5,084lbs  
Displacement-Full Load-----7,076 lbs  
Power-----twin 150hp outboards

Designed by A.B.COPE LTD.  
Designer-Bruce Cope  
August 9-2018 Scale--3/4"=1ft.