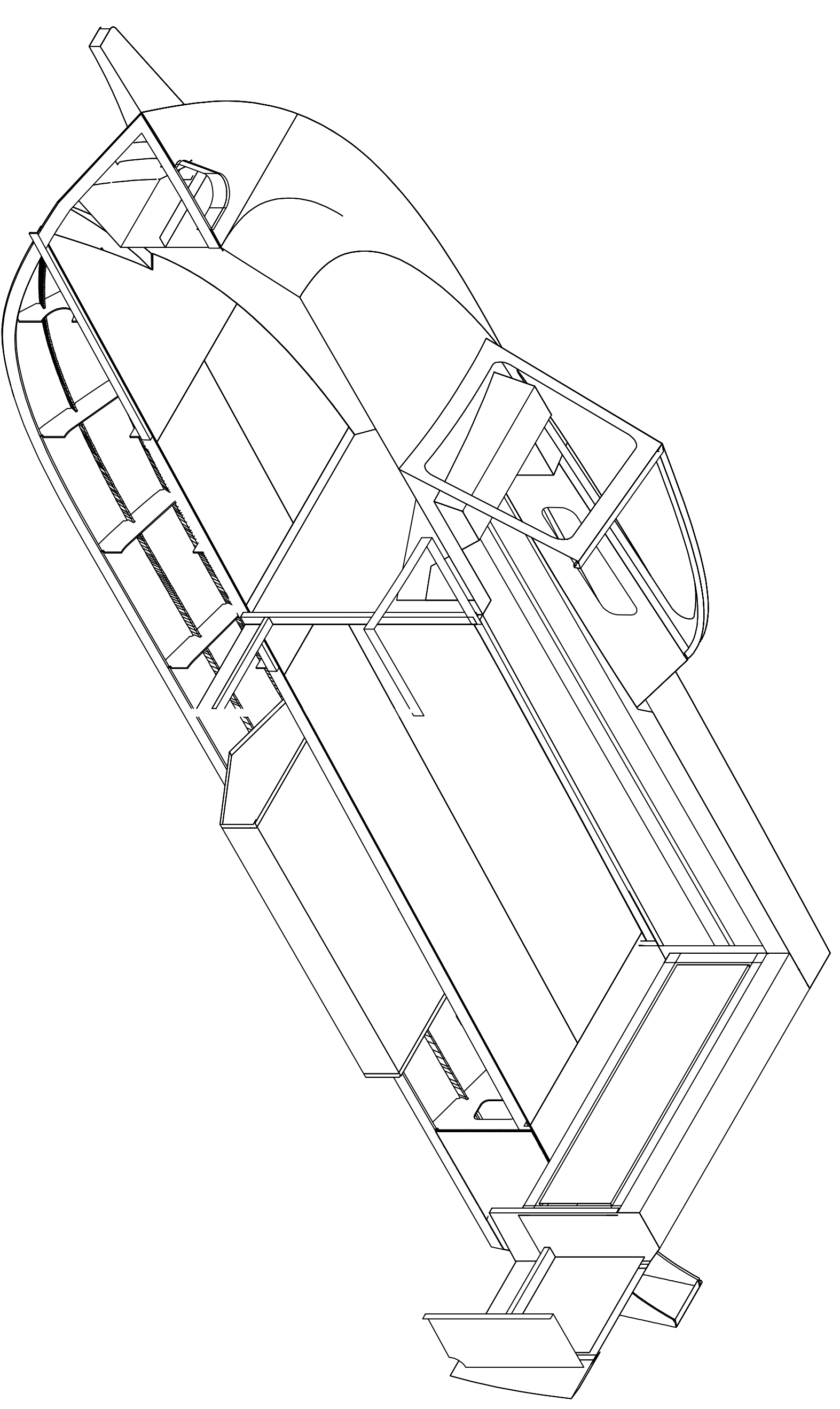
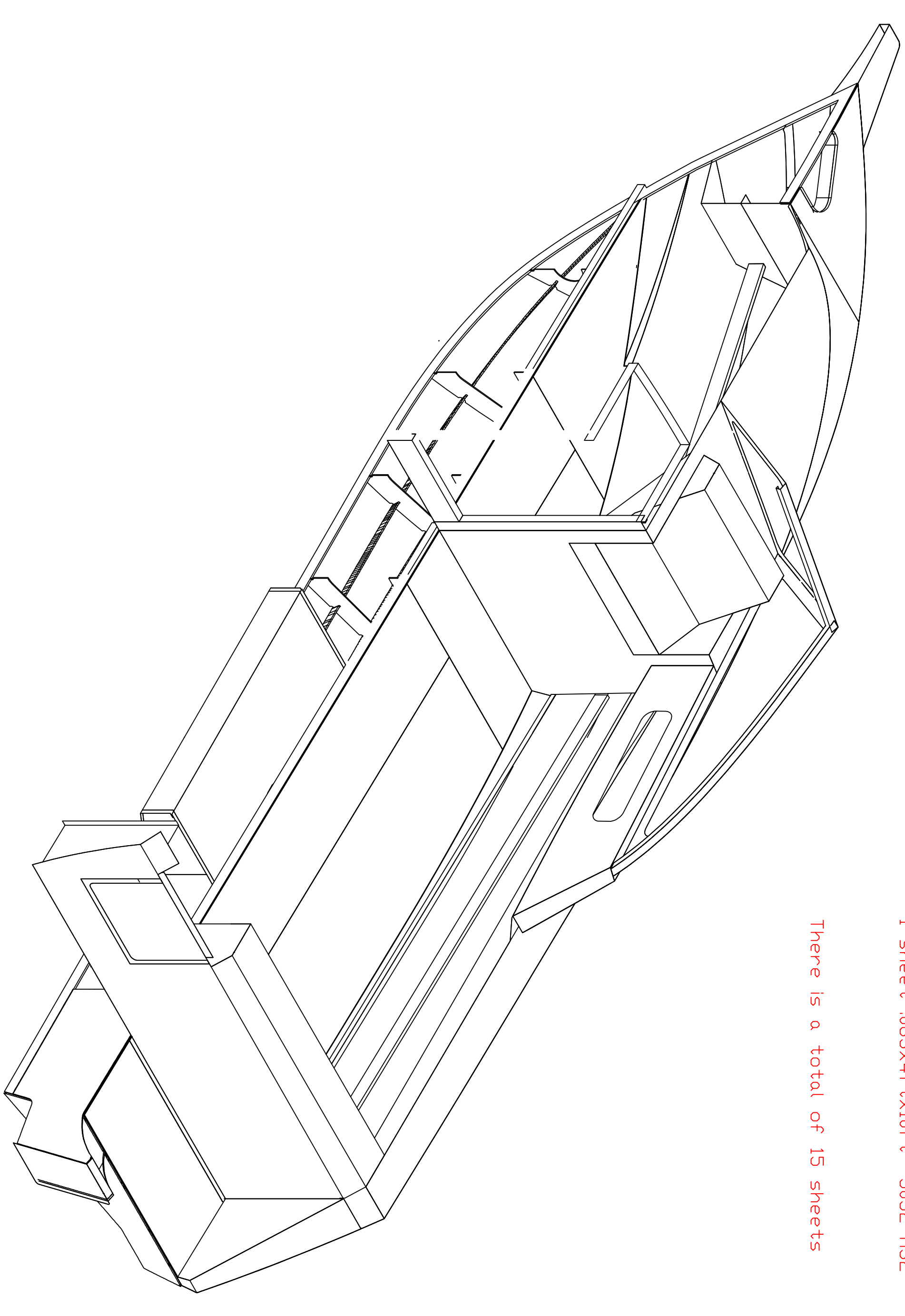
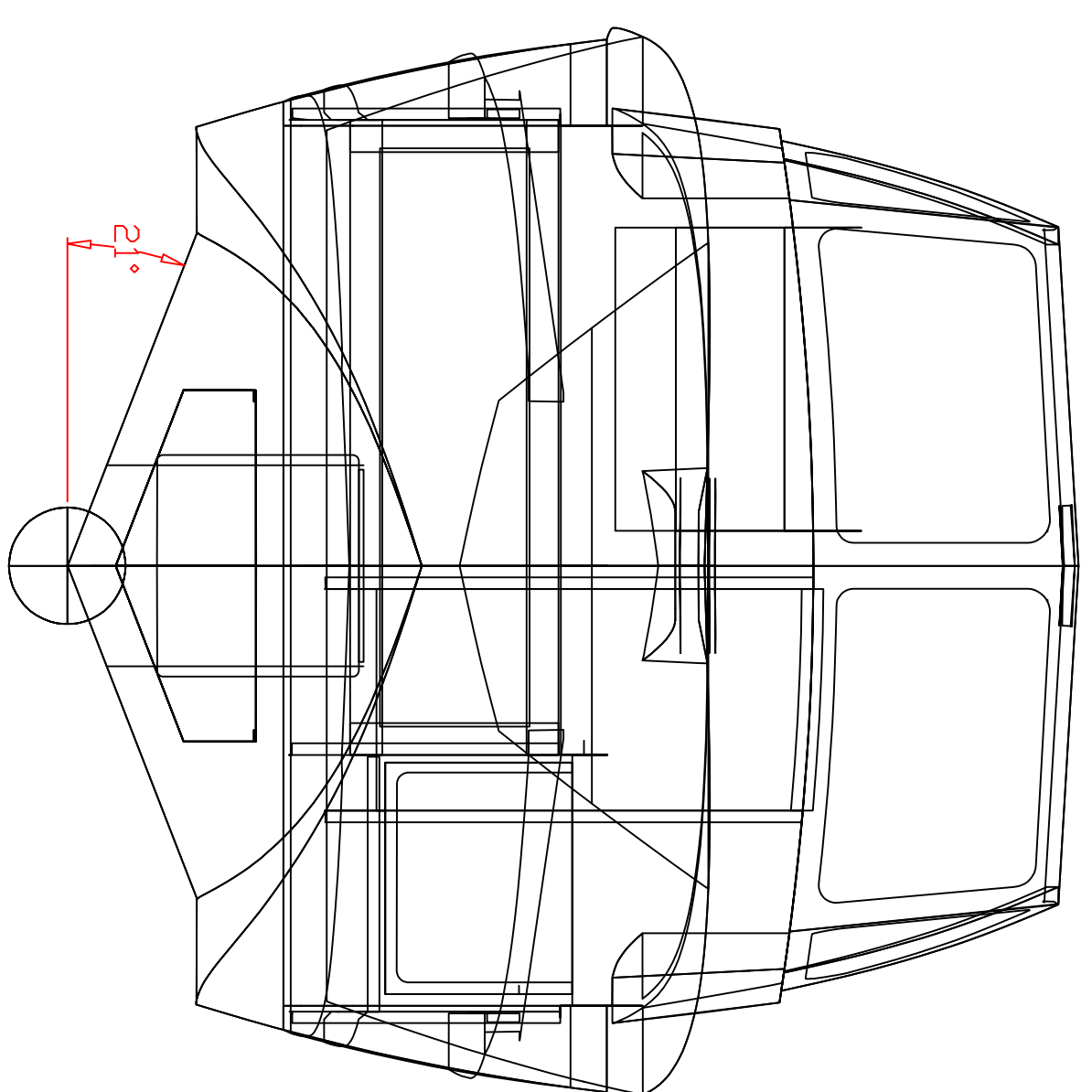
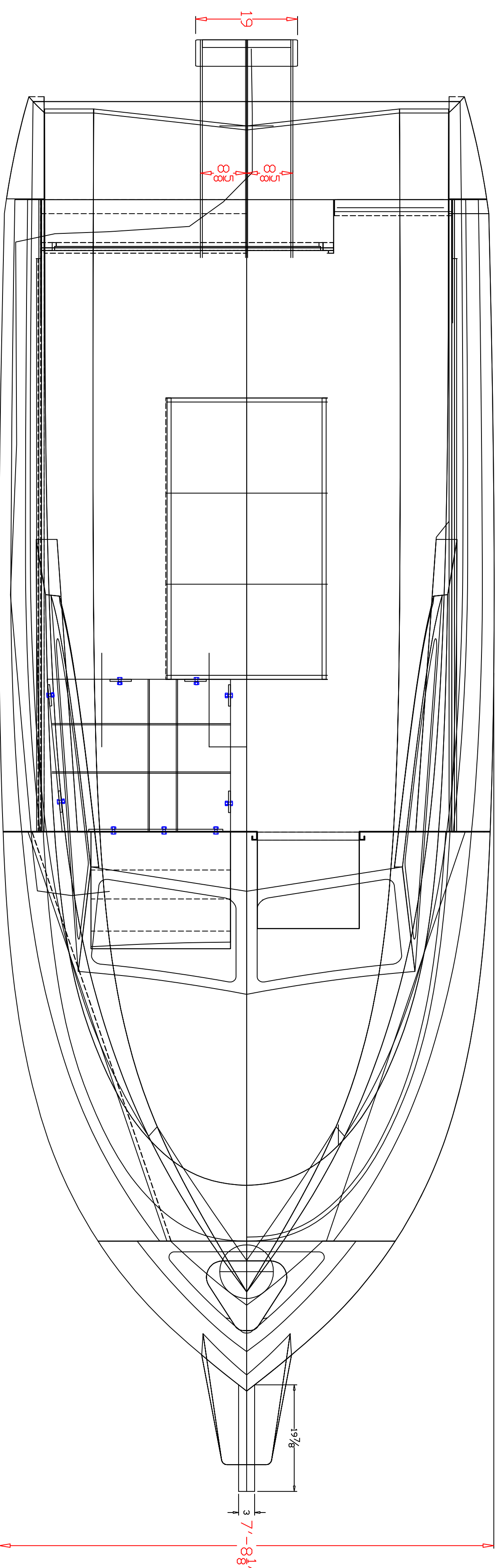
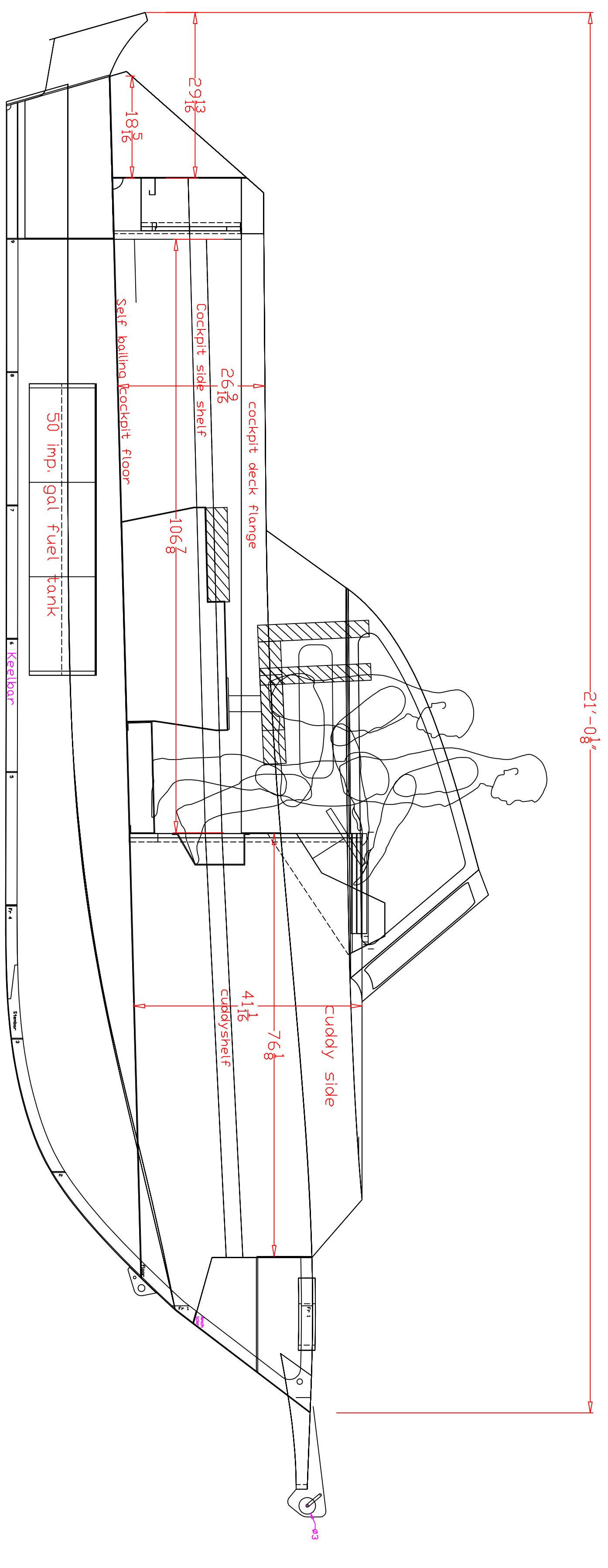


# Cope 21ft Cuddy Runabout Study Plan



## Extrusion List

Cope 20ft Cuddy  
Single Outboard Model  
June 29-2011

All lengths are 20ft

Anglebar

2 lengths 1/2"x2-1/2"-1/2" 6061 T6

6 lengths 3/8"x1-1/2"x1-1/2" 6061 T6

Schedule 40 pipe

2 lengths 3/4" 6063 T5

2 lengths 1" 6063 T5

2 lengths 1-1/4" 6063 T5

Square tube

4 lengths 1"x1"x125 wall 6061 T6

## Plate List

Cope 20ft Cuddy  
Single Outboard Model  
June 29-2011

3/8" plate

1 sheet 3/8"x4ftx8ft 5086 H116

1/2" sheet

3 sheets 1/2"x4ft x20ft 5086 H116

1 sheet 1/2"x4ftx20ft 505052 H32

3/8" sheet

1 sheet 3/8"x5ftx20ft 5086 H116

1 sheet 3/8"x4ftx12ft 5052 H32

3/8" sheet

2 sheets 3/8"x5ftx25ft 5086 H116

3 sheets 3/8"x5ftx20ft 5052 H32

1 sheet 3/8"x5ftx12ft 5052 H32

1/8" sheet

1 sheet 1/8"x6ftx10ft 5052 H32

0.63" sheet

1 sheet 0.63"x4ftx10ft 5052 H32

There is a total of 15 sheets

## Cope :21ft Cuddy

Boat Owner: Bruce Cope

Length-----20ft 9in, including motor mount  
plus anchor platform

Beam-----7ft-8in

Displacement---Lightship--2,800 lbs

Displacement---Loaded 4,000 lbs

DWL-----19ft 8in

Power-----single 175hp, outboard

Designed by A.B. Cope LTD.

Designer Bruce Cope

July 14-2011