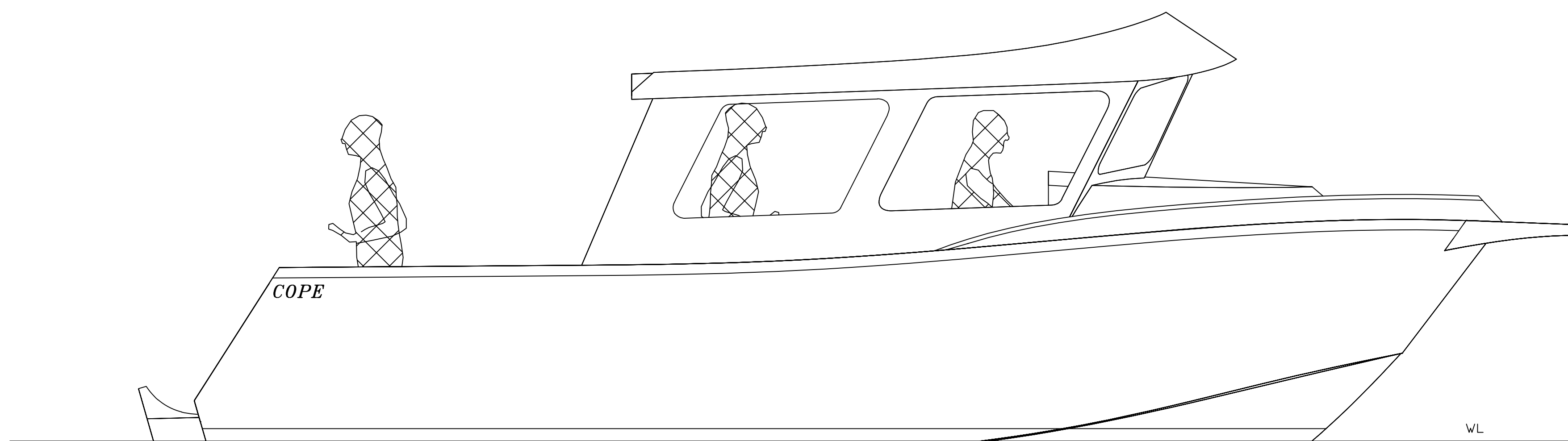
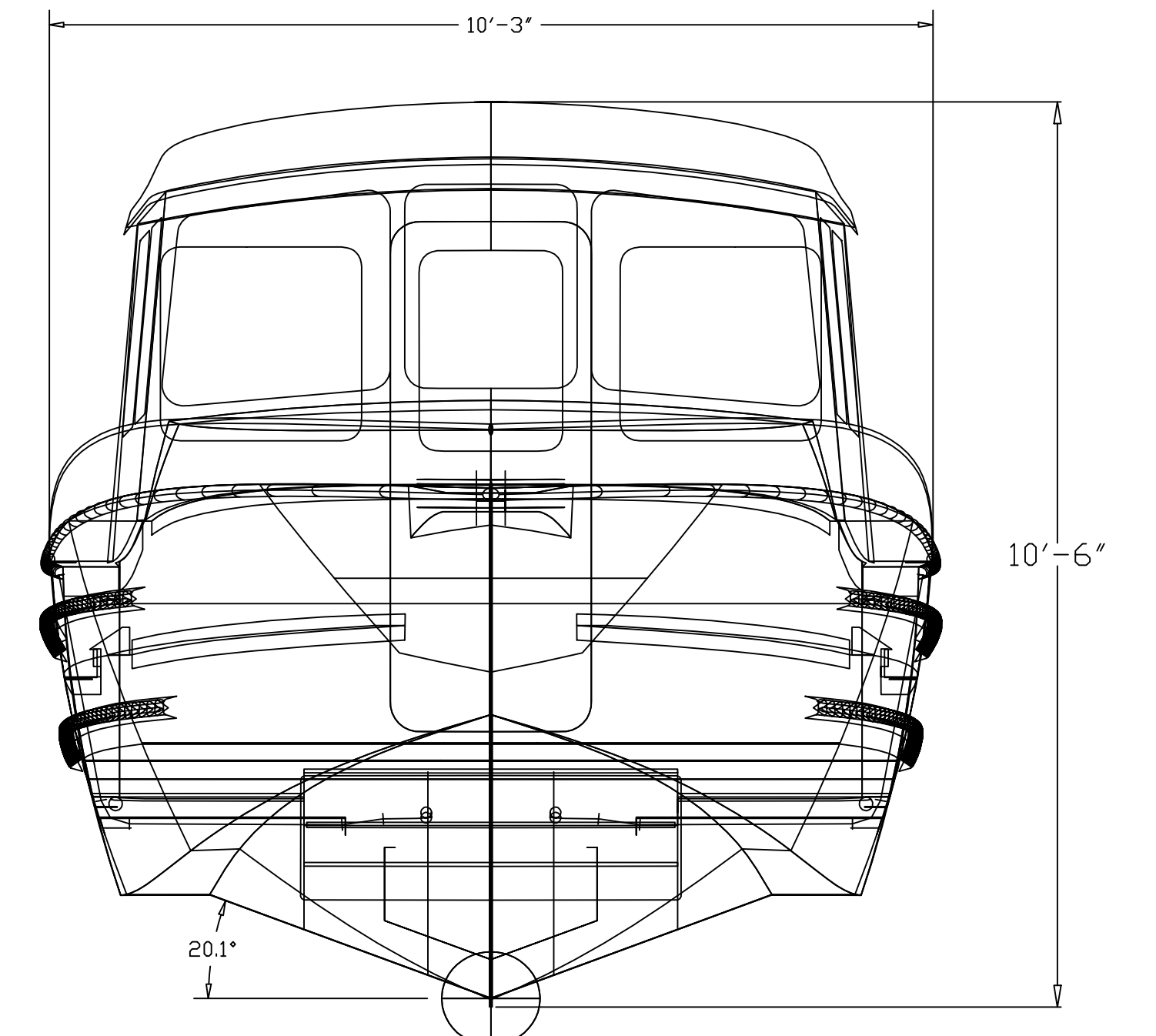
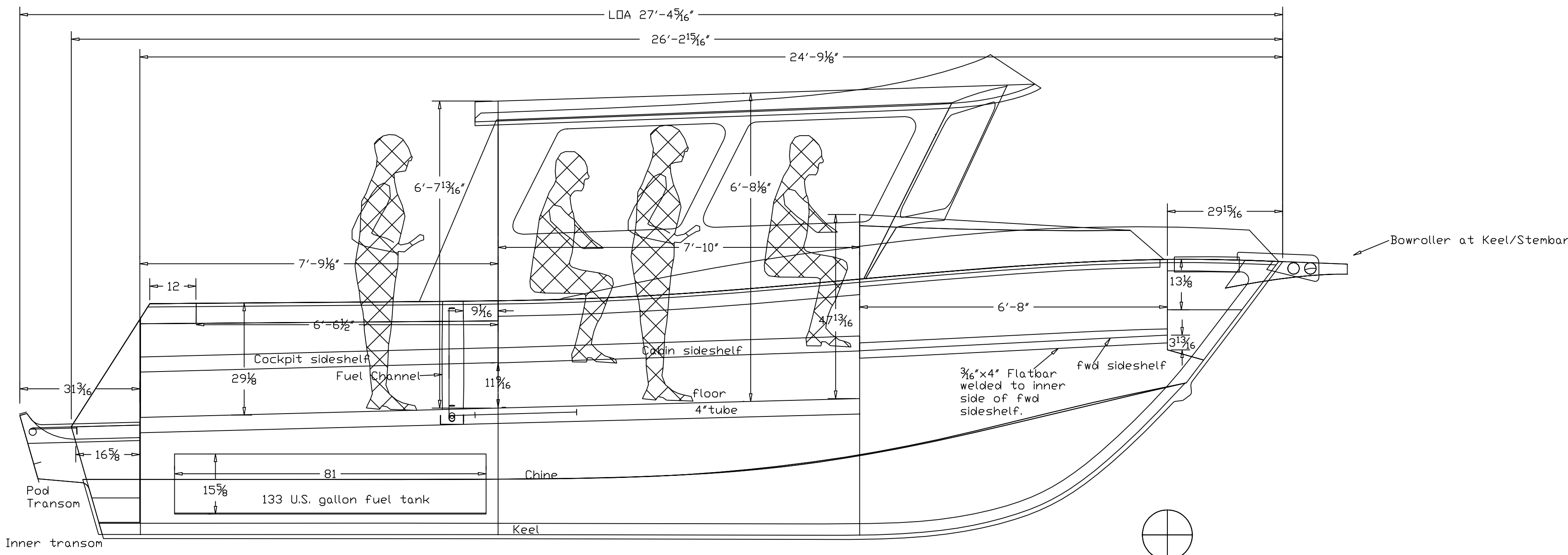
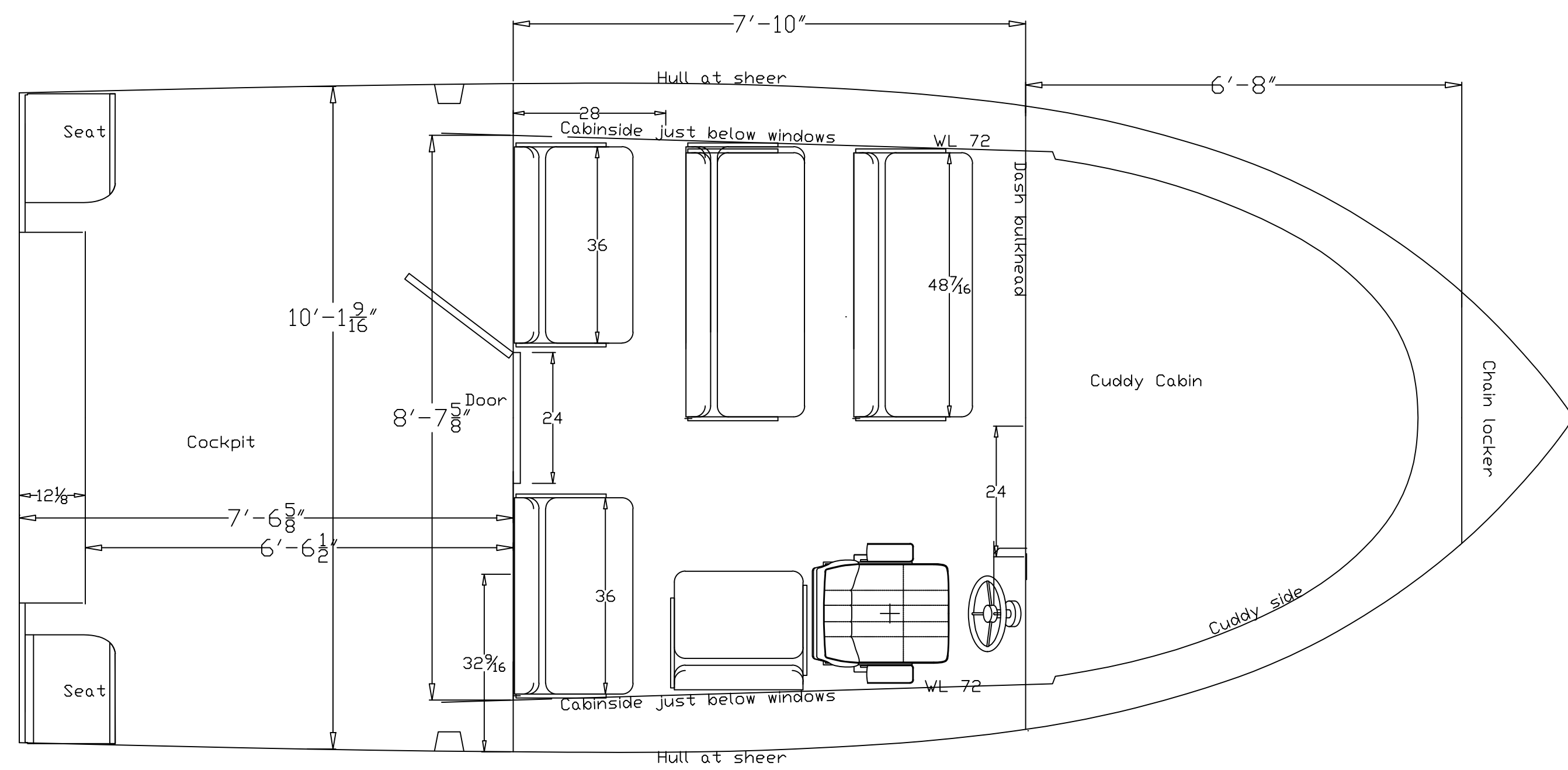


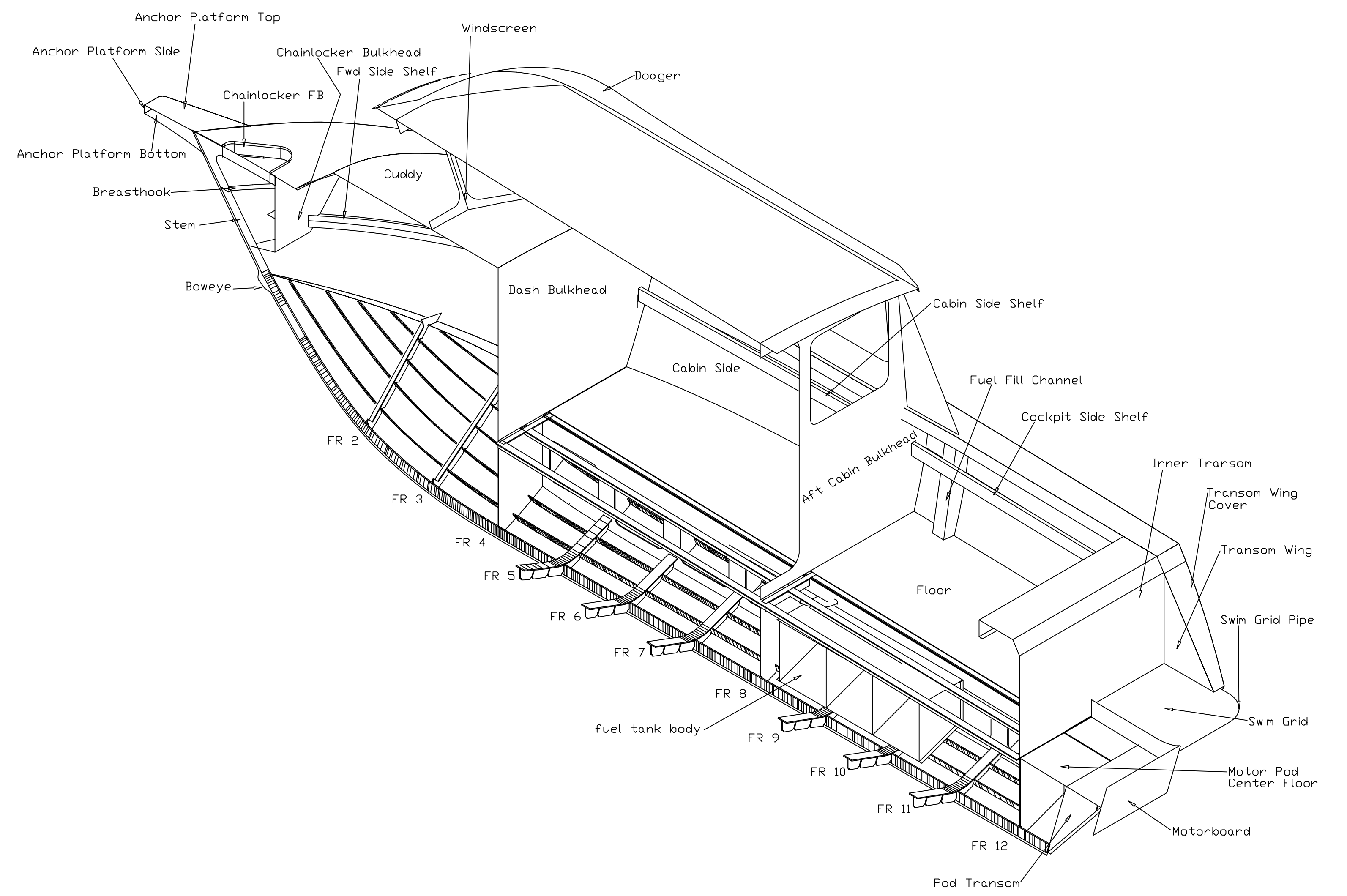
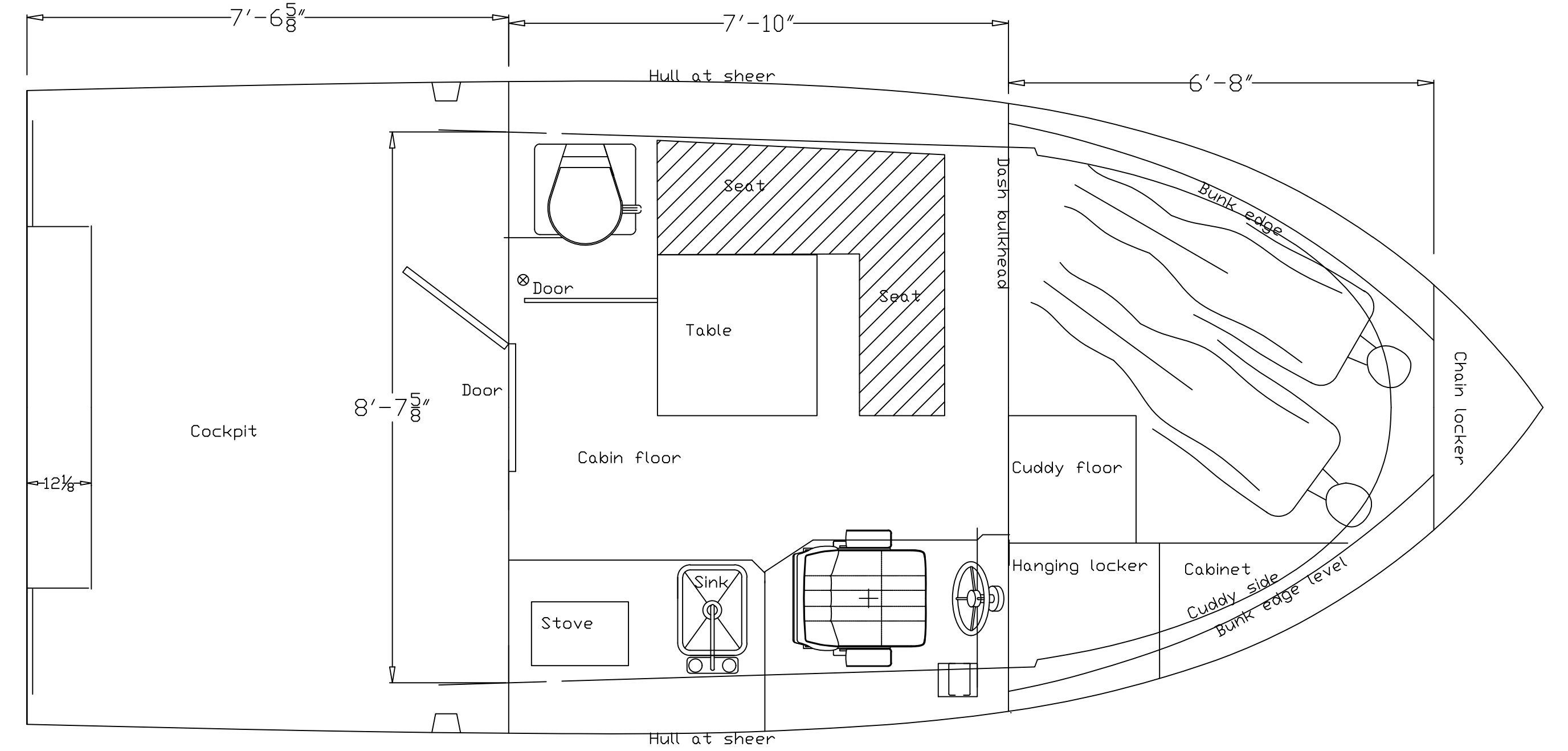
PACHENA POINT 26 DB CRUISER
DESIGN C023A
STUDY PLAN



Crewboat-Commuter-Water Taxi Layout



Family Cruising Layout
One of numerous possibilities.



- Aluminum Plate List
Design C023A 26 DB Cruiser
Model 26 Pachena Point
August 10 2022
- 3/8" plate
1 sheet = 3/8"x4ftx20ft----5086 H116
 - 1/2" plate
2 sheets = 1/2"x5ftx30ft----5086 H116
2 sheets = 1/2"x5ftx20ft----5086 H116
2 sheets = 1/2"x4ftx20ft----5086 H116
 - 1 sheet = 1/2"x5ftx20ft----5052 H32
 - 3/8" plate
2 sheets = 3/8"x5ftx27ft9in----5086 H116
1 sheet = 3/8"x5ftx12ft----5052 H32
3 sheets = 3/8"x4ftx20ft----5052 H32
 - 3/8" (160°) plate
7 sheets = 3/8"x5ftx20ft----5052 H32
1 sheet = 3/8"x6ftx20ft----5052 H32
- There is a total of 22 sheets

- EXTRUSION LIST
Design C023A 26 DB CRUISER
Model 26 Pachena Point
August 11 2022
- 1" bar
1/4" x 2" x 2" 6061 T6 1" bar ---- 7 x 20ft lengths
 - Sq tube
3/8" x 1" 6061 T6 sq tube ---- 5 x 20ft lengths
3/4" x 4" x 4" 6061 T6 sq tube ---- 2 x 20ft lengths
 - Rec tube
3/8" x 2" x 4" 6061 T6 rec. tube ---- 1 x 24ft length
 - Pipe
2" OD 1/2 pipe ---- 4 x 20ft lengths
1" sch 40 pipe - T6 Aluminum pipe ---- 3 x 20ft lengths
 - Flatbar
3/4" x 2" 6061-T6 aluminum Flatbar ---- 2 x 20ft lengths
 - Angle Bar
3/4" x 1-1/2" x 1-1/2" 6061-T6 aluminum Angle Bar ---- 9 x 20ft lengths
3/4" x 2" x 1-1/2" 6061-T6 aluminum Angle Bar ---- 4 x 20ft lengths

This plan comes with a jig - either 30in or 36in Spacing. Builder to specify at time of cutting.

C023A PACHENA POINT 26 DB CRUISER
CONSTRUCTION-ALUMINUM
Measurements-Imperial
Length over all ----- 27ft 4in
Beam over all ----- 10ft 3in plus pipe
Displacement -- lightship --- 7000 lbs
Displacement -- loaded ----- 8200 lbs
Deadrise --- 20 degrees
Power --- Twin 250hp outboards
Designed by A.B.COPE LTD.
Designer-Bruce Cope
August 11 2022