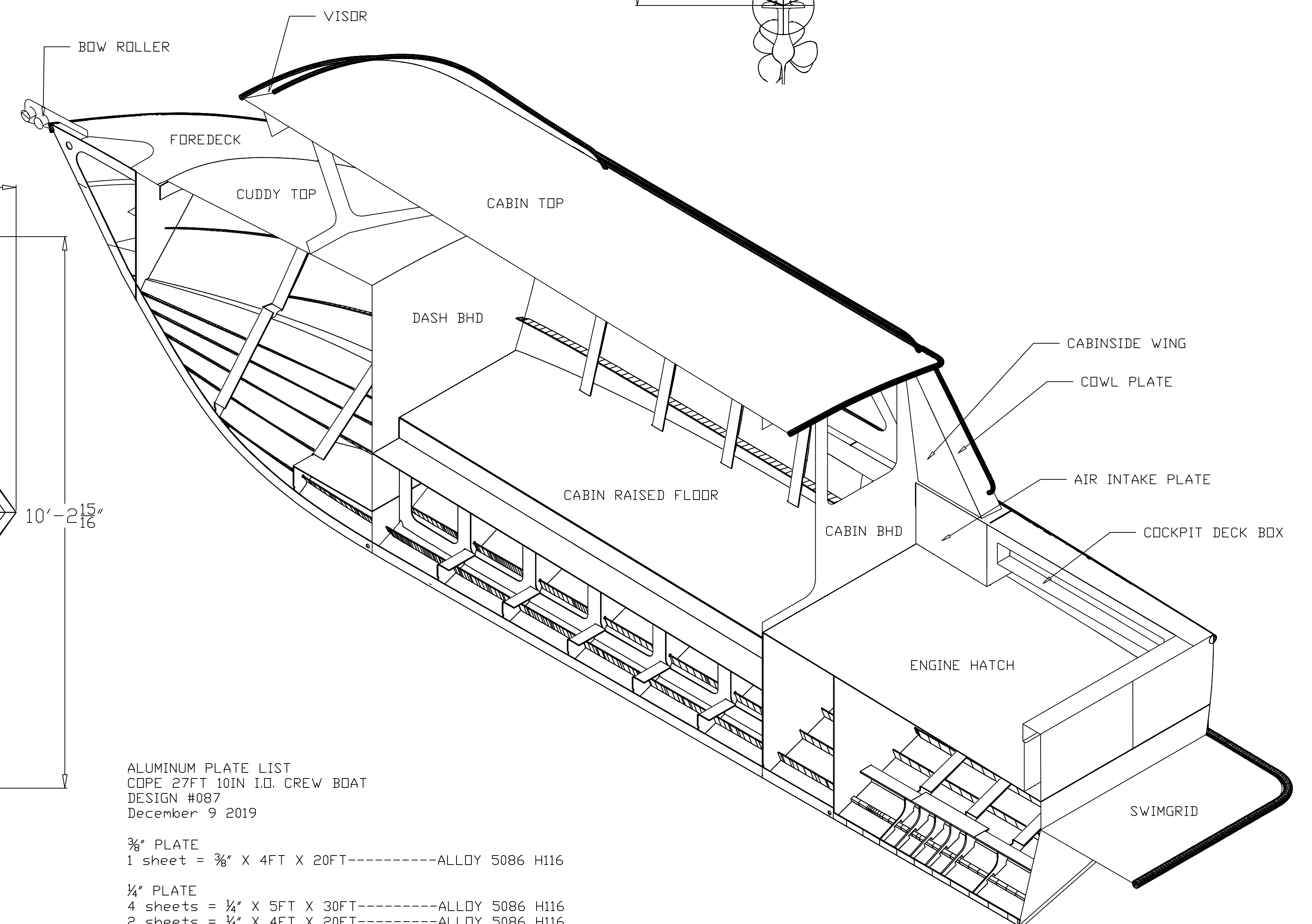
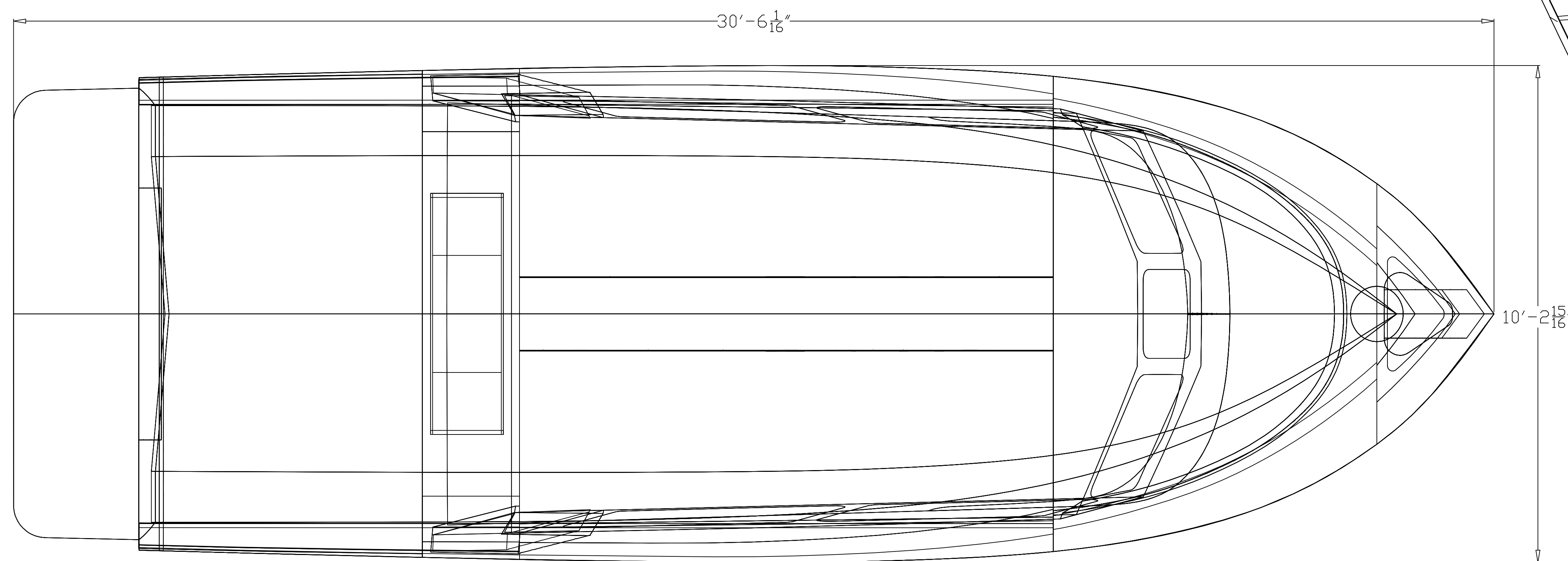
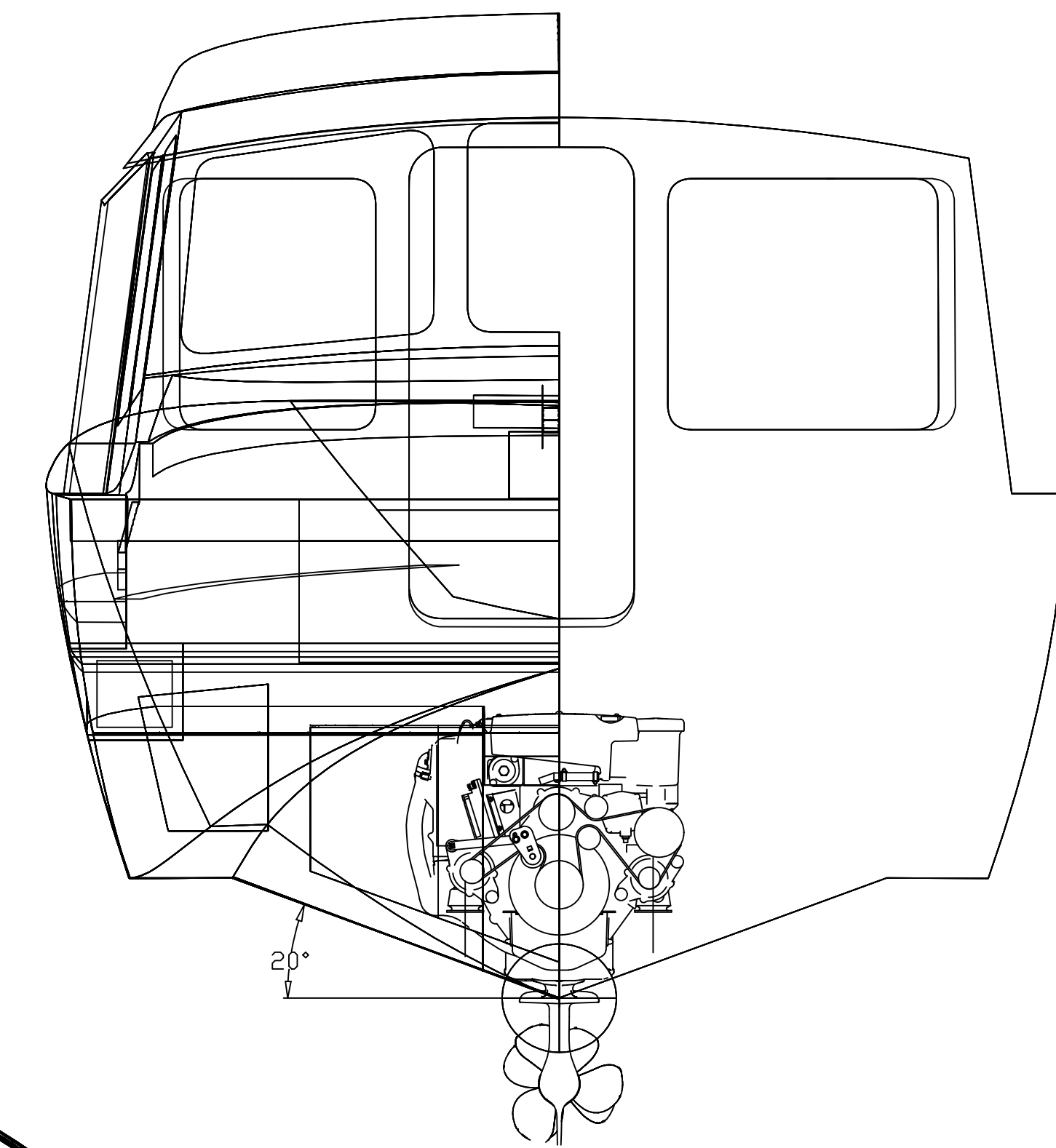
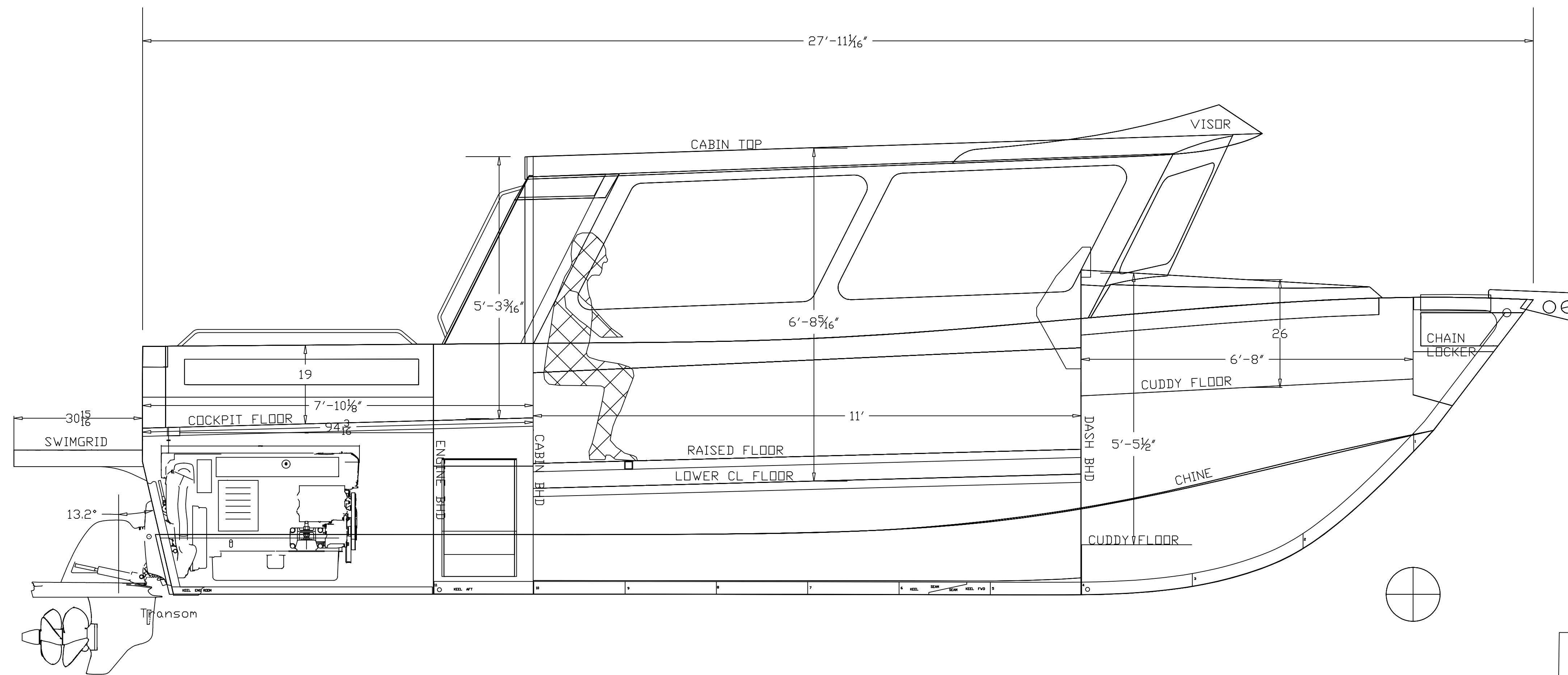


COPE 27FT 10 INCH CREW BOAT I.O. - STUDY PLAN
 DESIGN #087
 Designed by A B Cope Ltd.



ALUMINUM PLATE LIST
 COPE 27FT 10IN I.O. CREW BOAT
 DESIGN #087
 December 9 2019

3/8" PLATE
 1 sheet = 3/8" X 4FT X 20FT-----ALLOY 5086 H116

1/4" PLATE
 4 sheets = 1/4" X 5FT X 30FT-----ALLOY 5086 H116
 2 sheets = 1/4" X 4FT X 20FT-----ALLOY 5086 H116
 1 sheet = 1/4" X 6FT X 10FT-----ALLOY 5086 H116
 3 sheets = 1/4" X 4FT X 20FT-----ALLOY 5052 H32
 1 sheet = 1/4" X 4FT X 10FT-----ALLOY 5052 H32

3/16" PLATE
 3 sheets = 3/16" X 6FT X 20FT-----ALLOY 5052 H32
 2 sheets = 3/16" X 5FT X 20FT-----ALLOY 5052 H32
 2 sheets = 3/16" X 4FT X 20FT-----ALLOY 5052 H32

5/32" PLATE
 2 sheets = 5/32" X 6FT X 20FT-----ALLOY 5052 H32
 2 sheets = 5/32" X 4FT X 20FT-----ALLOY 5052 H32

1/8" PLATE
 1 sheet = 1/8" X 5FT X 10FT-----ALLOY 5052 H32
 There is a total of 24 sheets.

ALUMINUM PLATE LIST
 COPE 27FT 10IN I.O. CREW BOAT JIG PLATES
 DESIGN #087
 December 9 2019

1/4" PLATE
 2 sheets = 1/4" X 5FT X 20FT-----ALLOY 5052 H32
 There is a total of 2 sheets.

COPE 27FT 10 INCH CREW BOAT I.O.
 STUDY PLAN - Design #087

Length-----27ft 10in
 Beam-----10ft 6in with gunwale pipe.
 Est. Draft-----1ft 11in

Max Displacement-----11,000 lbs
 (12 passengers + driver, full fuel)
 Estimated Cruising speed @ Max Disp. 28 knots @ 280hp
 Estimated Max speed @ Max Disp. 35 knots @ 370 hp

Deadrise-----20 deg
 Power-----Volvo D6 370 Hp

Designed by A.B.COPE LTD.
 Designer-Bruce Cope
 Nov 12 2019