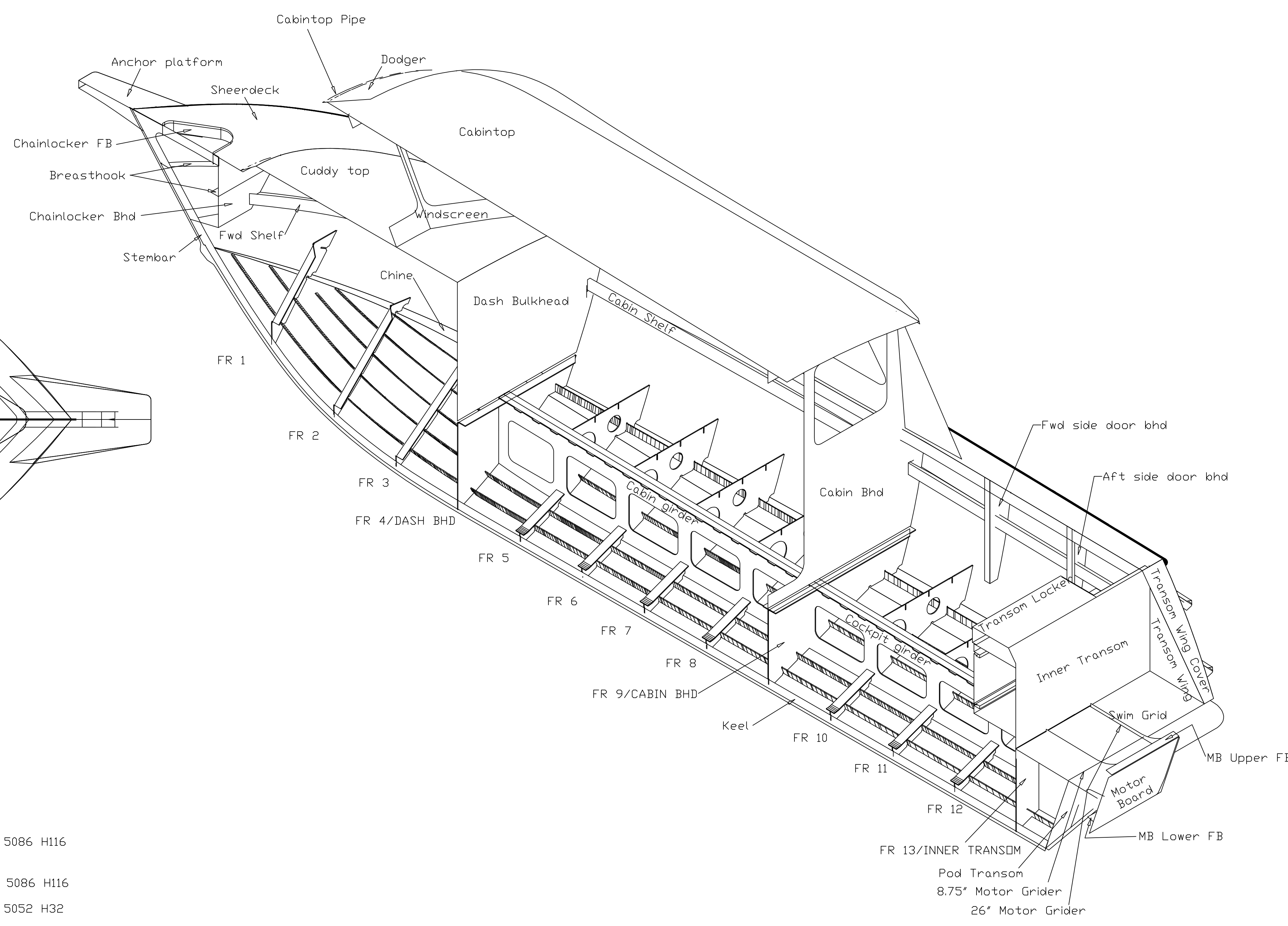
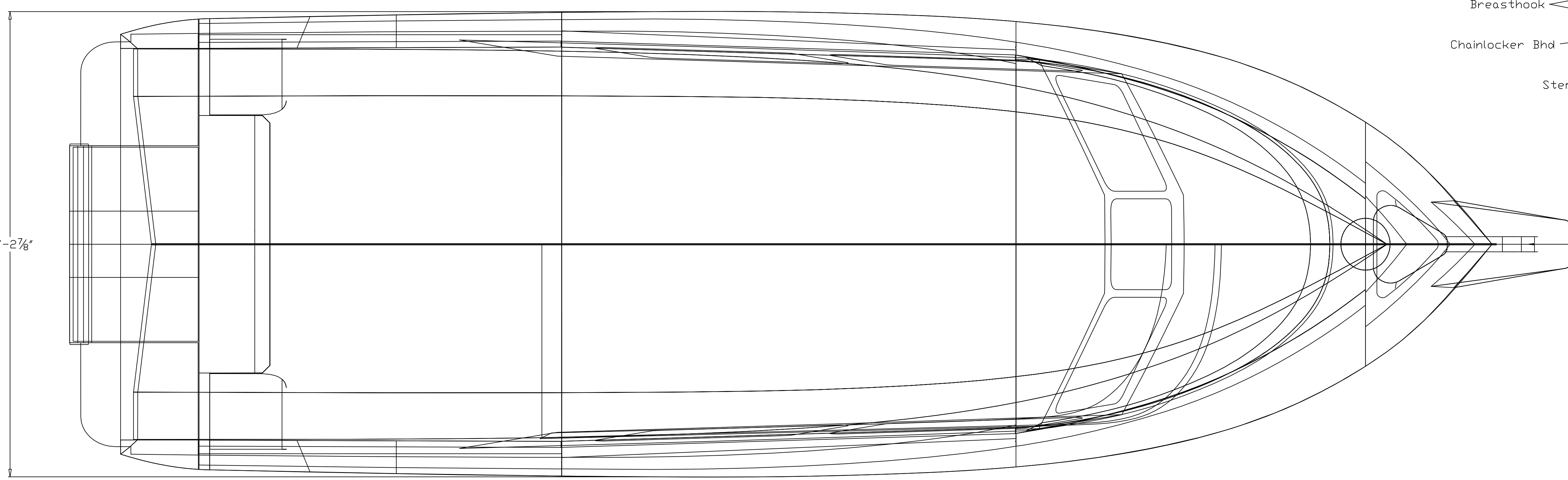
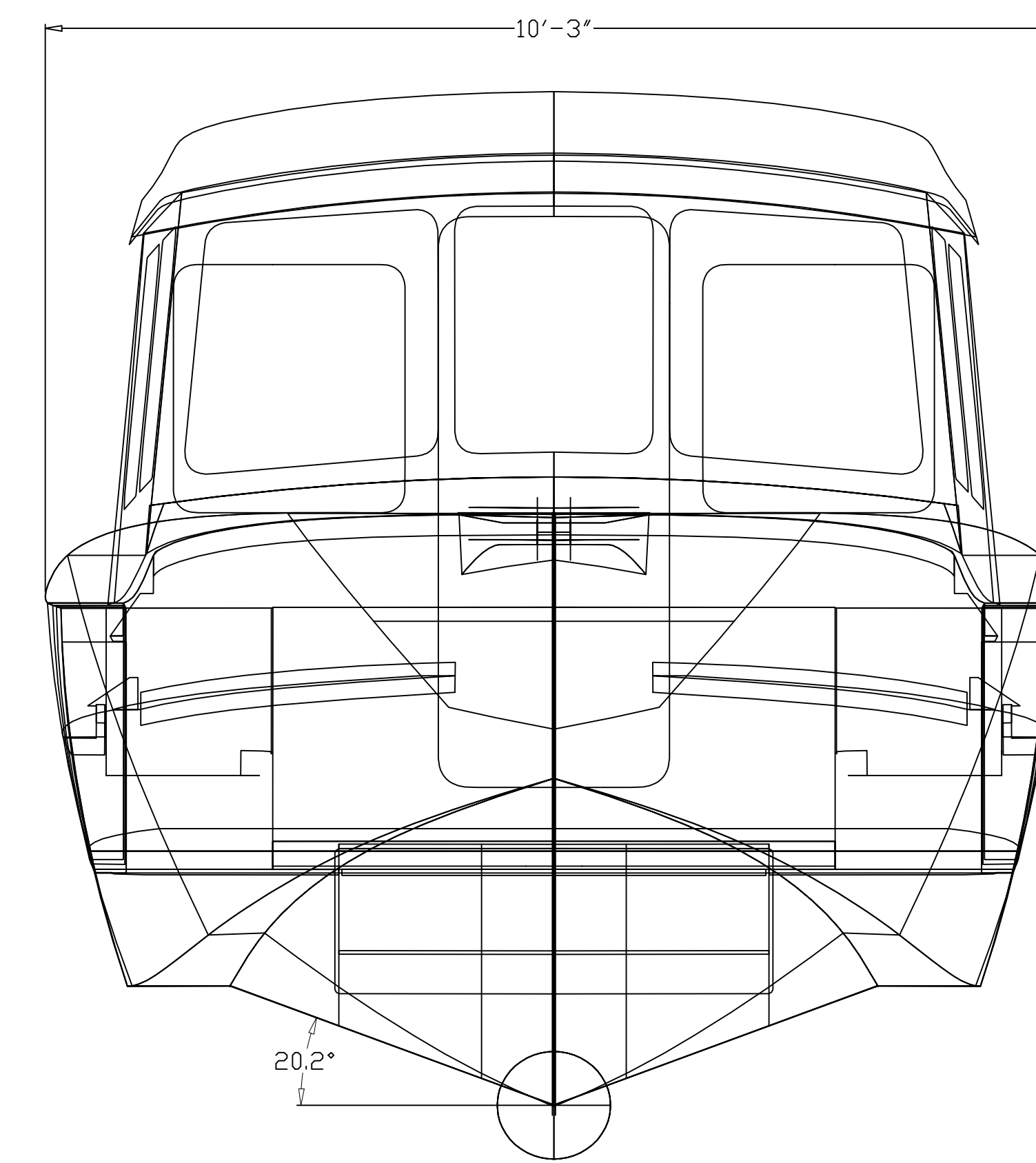
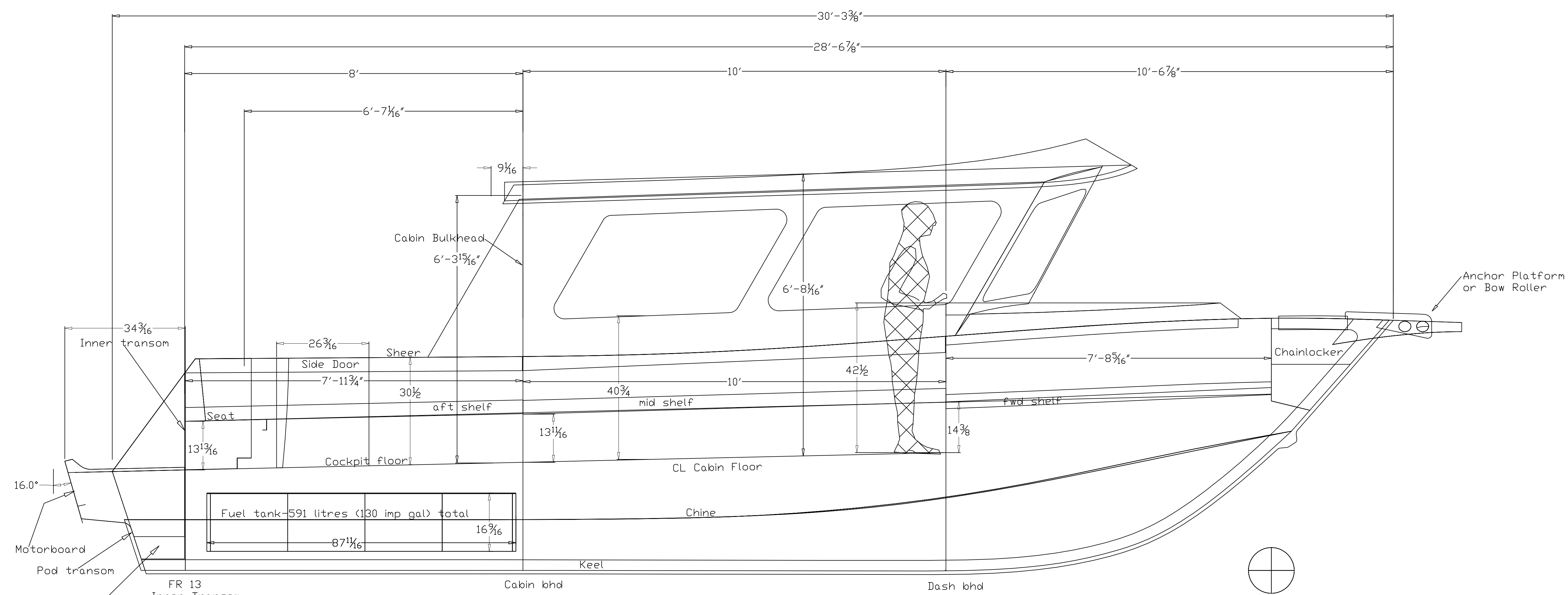


KEATS ISLAND 30 DESIGN C053A STUDY PLAN



Builder is required to go through the construction drawings to confirm the extrusion list. This list does not include additional material that may be required while building an aluminum boat. This list does not include parts for jig assembly or raised floor/seat box stiffening.

EXTRUSION LIST

- C053A Keats Island 30
May 2 2023
All extrusions are Aluminum and 20ft length, unless otherwise specified.
- ANGLE BAR**
6 lengths ----- 1/2" x 2" x 2" Alloy 6061 T6 Angle Bar
2 lengths ----- 1/2" x 2" x 1 1/2" Alloy 6061 T6 Angle Bar
11 lengths ----- 3/8" x 1 1/2" x 1 1/2" Alloy 6061 T6 Angle Bar
- SQUARE TUBE**
10 lengths ----- 3/8" x 1 1/2" Alloy 6061 T6 Sq. Tube
- RECTANGULAR TUBE**
1 lengths ----- 1/2" X 2" X 4" Alloy 6061 T6 Rec. Tube
- PIPE**
3 lengths ----- 3/4" sch 40 Alloy 6061 T6 Pipe
1 length ----- 2" sch 40 6061 T6 Pipe
- HALF PIPE**
3 lengths ----- 2" sch 40 Alloy 6061 T6 Half Pipe
- HULL STIFFENERS - 25ft lengths**
3 lengths ----- Marine Extrusion Alloy 6061 T6

- Aluminum Plate List
Cope Keats Island 30
Design C053A
May 3 2023
- 3/8" PLATE
1 sheet ----- 5ftx20ft ALLDY 5086 H116
- 1/2" PLATE
7 sheets ----- 5ftx20ft ALLDY 5086 H116
1 sheet ----- 5ftx20ft ALLDY 5052 H32
- 3/16" PLATE
2 sheets ----- 5ftx20ft ALLDY 5086 H116
2 sheets ----- 5ftx12ft ALLDY 5086 H116
- 2 sheets ----- 6ftx20ft ALLDY 5052 H32
4 sheets ----- 5ftx20ft ALLDY 5052 H32
2 sheets ----- 4ftx20ft ALLDY 5052 H32
1 sheet ----- 5ftx12ft ALLDY 5052 H32
2 sheets ----- 4ftx12ft ALLDY 5052 H32
1 sheet ----- 6ftx10ft ALLDY 5052 H32
1 sheet ----- 5ftx10ft ALLDY 5052 H32
- 3/16" PLATE
1 sheet ----- 6ftx20ft ALLDY 5052 H32
1 sheet ----- 6ftx10ft ALLDY 5052 H32
- There is a total of 28 sheets

- Aluminum Plate List - JIGS PARTS ONLY
Cope Keats Island 30
Design C053A
MAY 2 2023
- 1/2" PLATE
2 sheets ----- 5ftx20ft ALLDY 5052 H32
- There is a total of 2 sheets

Keats Island 30
Design C053A
Study Plan

CONSTRUCTION-ALUMINUM-----MEASUREMENT-IMPERIAL
Length hull-----30ft 3in
Length OA including---31ft 5in
Beam-----10ft 3in
Displacement--- 11,000 lbs
Fuel cap----- 130 Imp. Gal
Power-----Twin outboards to 600 hp

Designed by A.B.COPE LTD.
Designer-Bruce Cope
June 2014
Modified May 1 2023

P 1