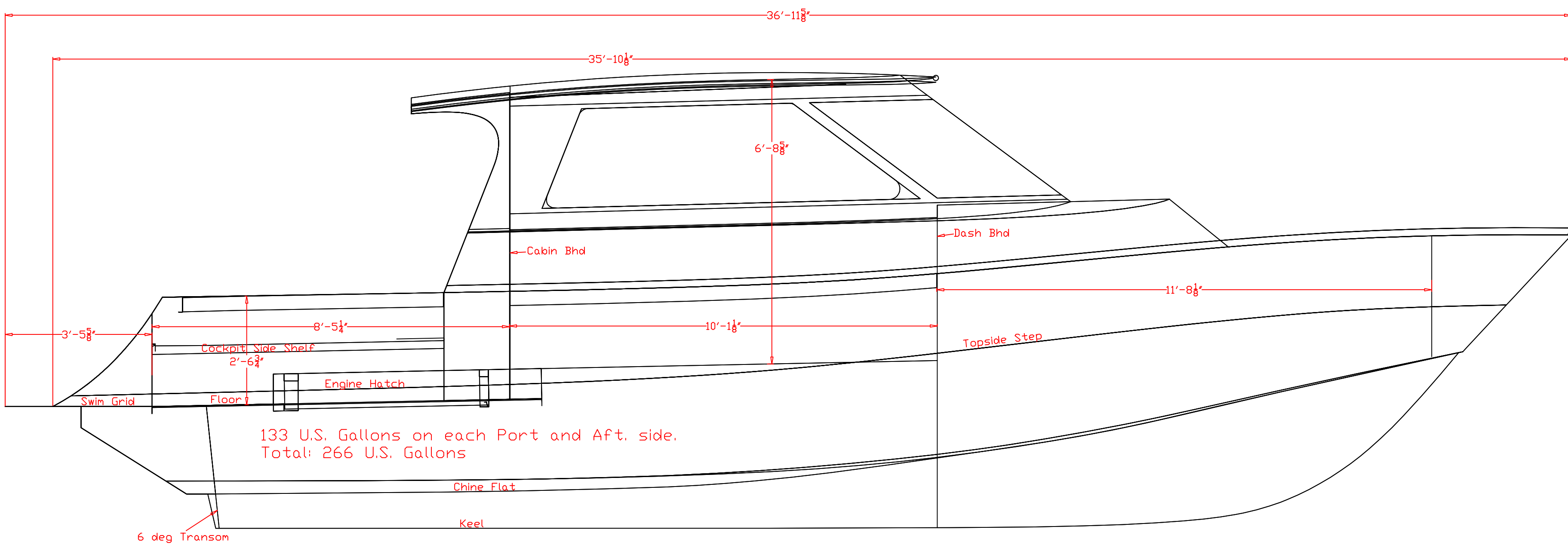


Cope Offshore 35 Study Plan



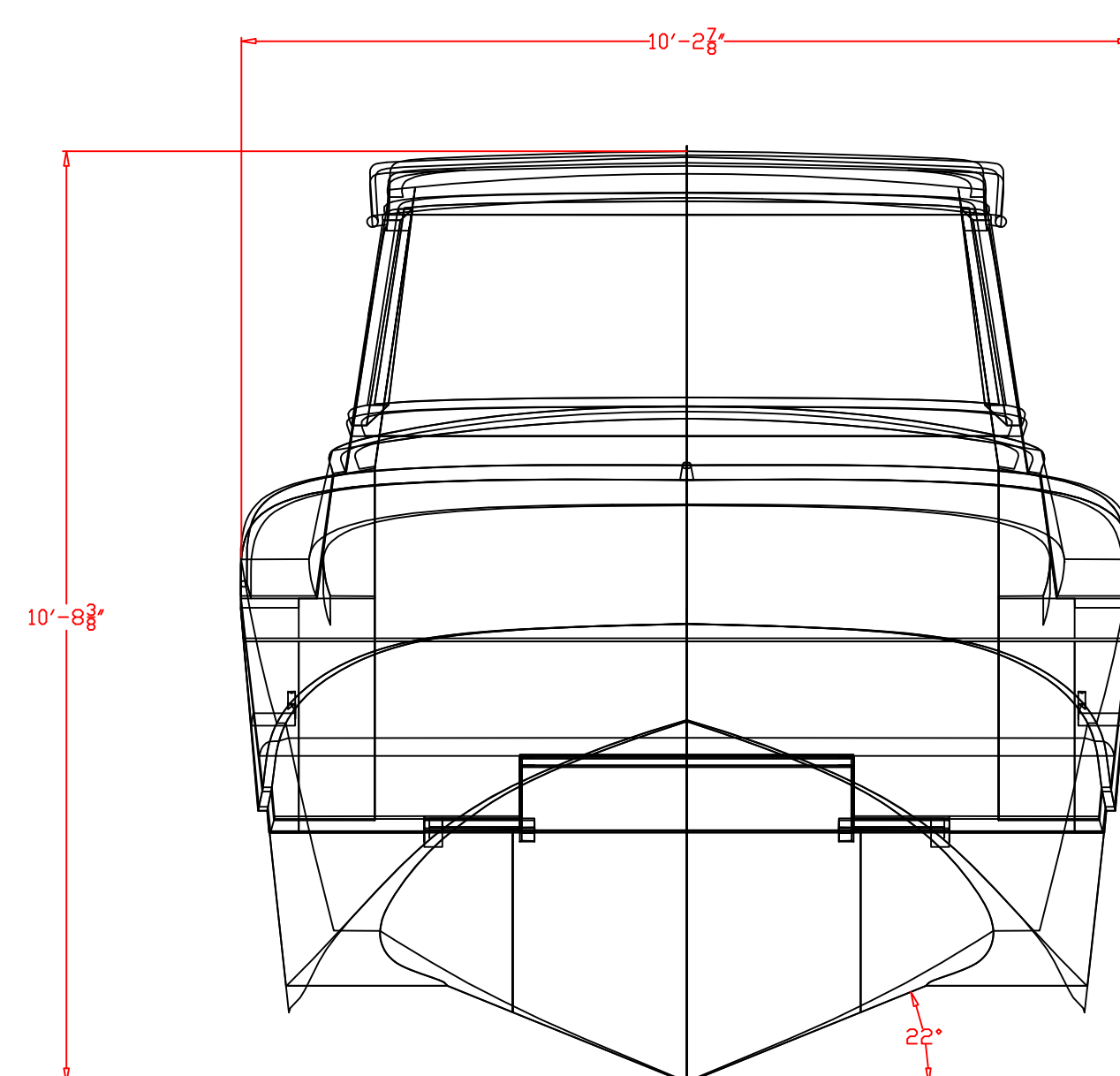
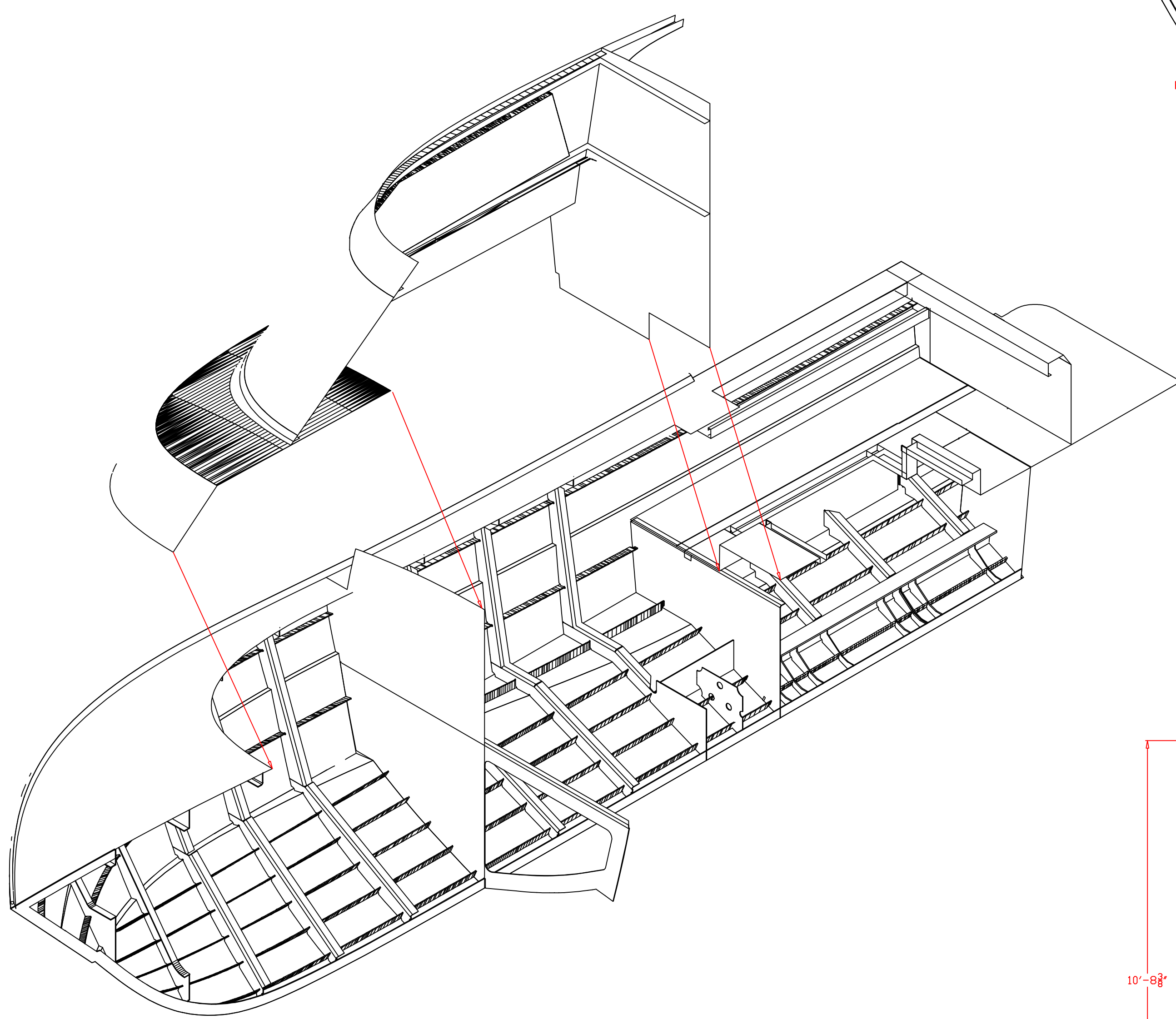
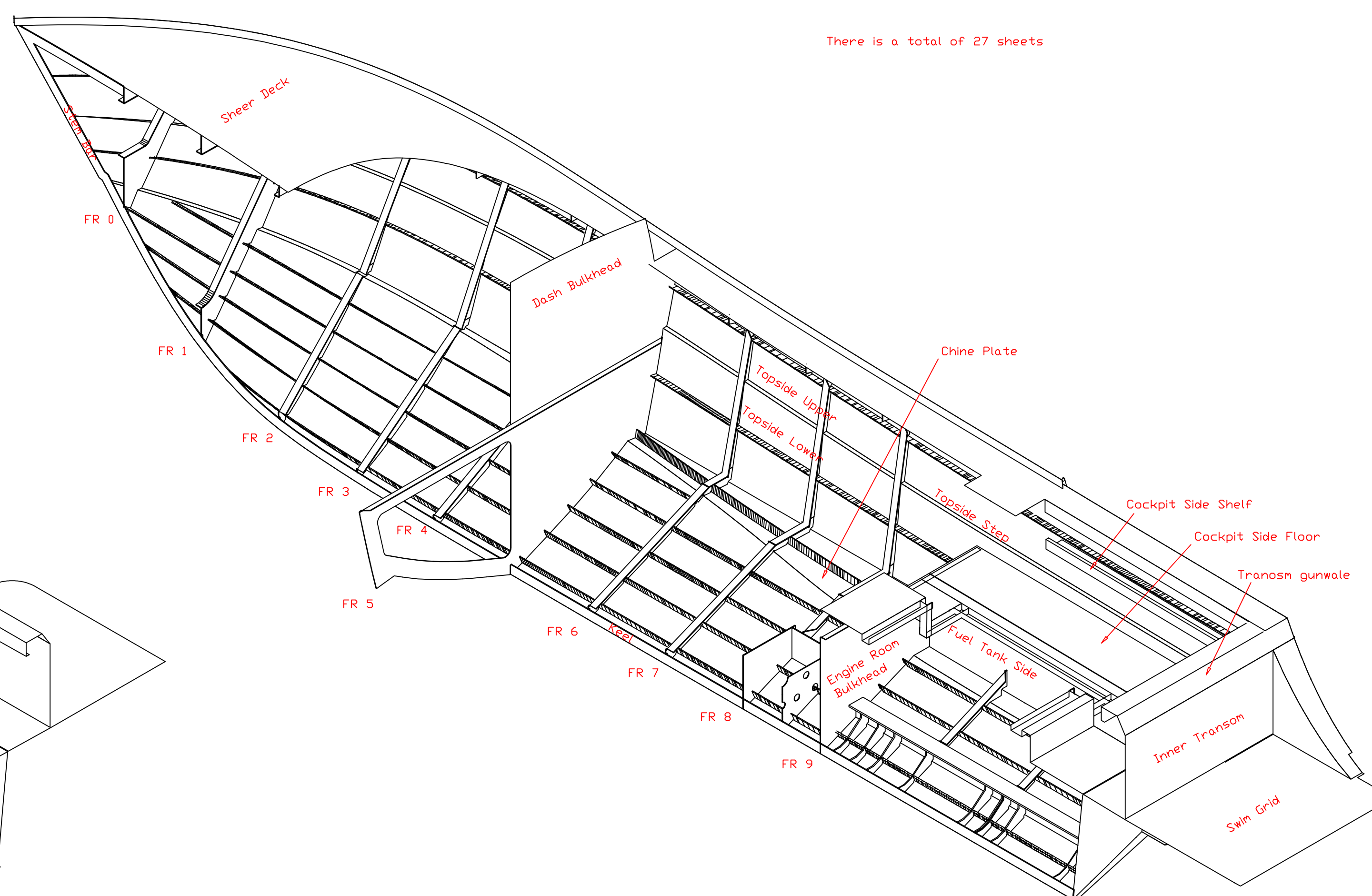
Aluminum Plate List
Cope Offshore 35
Hull cutfile parts only
May 14-2014

- 1/2" plate
- 1 sheet 1/2"x5ftx12ft----5086 H116
- 1/4" sheet-5086 H116
- 4 sheets 1/4"x4ftx20ft---5086 H116
- 4 sheets 1/4"x5ftx20ft---5086 H116
- 1 sheet 1/4"x6ftx10ft----5086 H116
- 1/4" 5052 H32
- 1 sheet 1/4"x5ftx20ft 5052 H32
- 2 sheets 1/4"x4ftx20ft 5052 H32
- 1 sheet 1/4"x5ftx20ft 5052 H32
- 3/8" 5086 H116
- 6 sheets 3/8"x4ftx20ft----5086 H116
- 1 sheets 3/8"x5ftx20ft----5086 H116
- 3/8" 5052 H32
- 2 sheets 3/8"x4ftx20ft----5052 H32
- 1 sheets 3/8"x5ftx20ft----5052 H32
- 2 sheets 3/8"x6ftx20ft----5052 H32
- 1 sheet 3/8"x6ftx8ft-----5052 H32

Cope Offshore 35
Cabin only cutfile
Plate List
July 7-2014

- All the plate is 5052 H32
- 1/4"
- 1 sheet 1/4"x5ftx12ft
- 2 sheets 1/4"x4ftx10ft
- 3/4"
- 1 sheet 3/4"x4ftx20ft
- 1 sheet 3/4"x5ftx20ft
- 3/8"
- 4 sheets 3/8"x6ftx20ft
- 2 sheets 3/8"x5ftx20ft
- 1 sheet 1/2"x8ftx20ft
- There is a total of 12 sheets

There is a total of 27 sheets



Cope Offshore 35

Length hull-----35ft 10in
Length DA including swimgrid: 36ft 11in
Beam-----10ft 3in
Displacement---Loaded 12,218 lbs
Power---Cummins QSB6.7 Diesel 600 hp
Drive ---Arneson A10 Surface Drive
Gear ---Twin Disc MG 5065 A
Deadrise-----22 degrees

Designed by ABCOPE LTD.
Designer--Bruce Cop
May 2014