

COPE 45FT LOBSTER BOAT STUDY PLAN

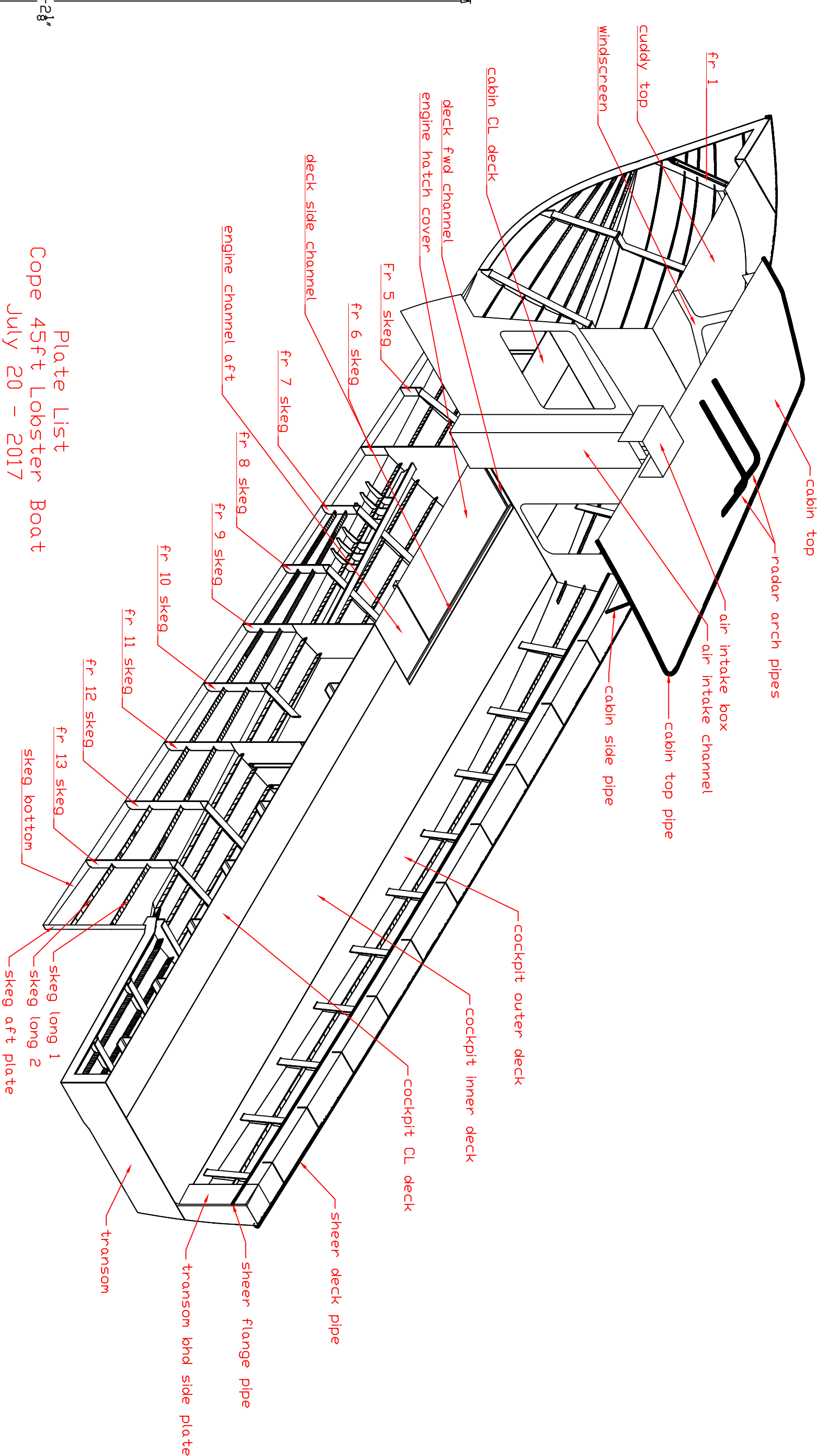
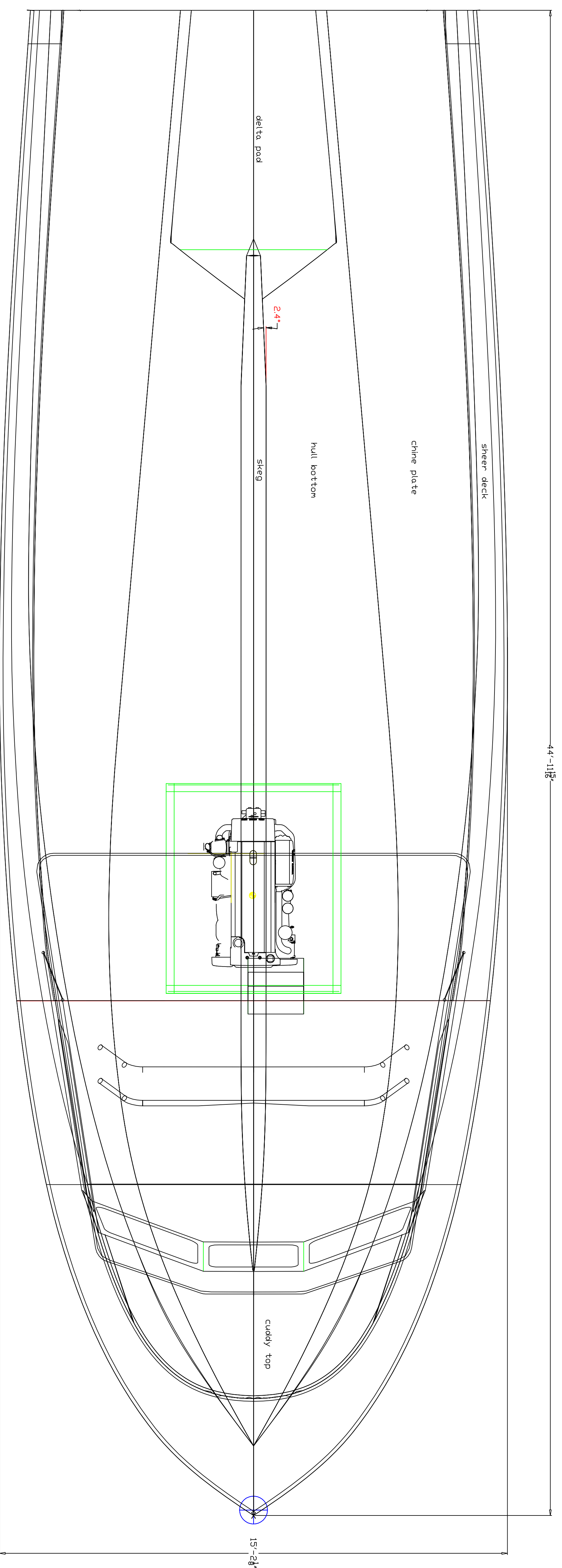
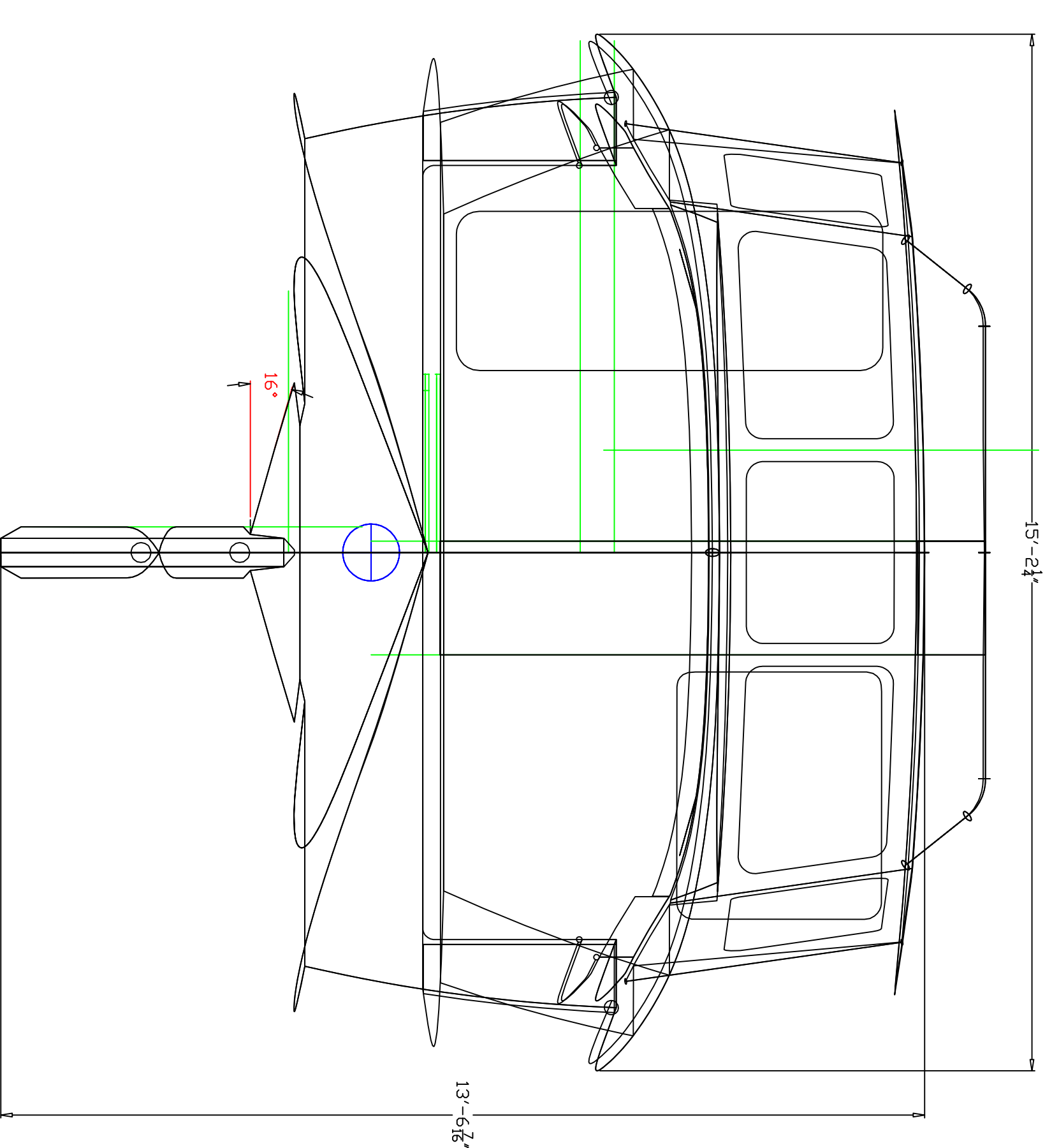
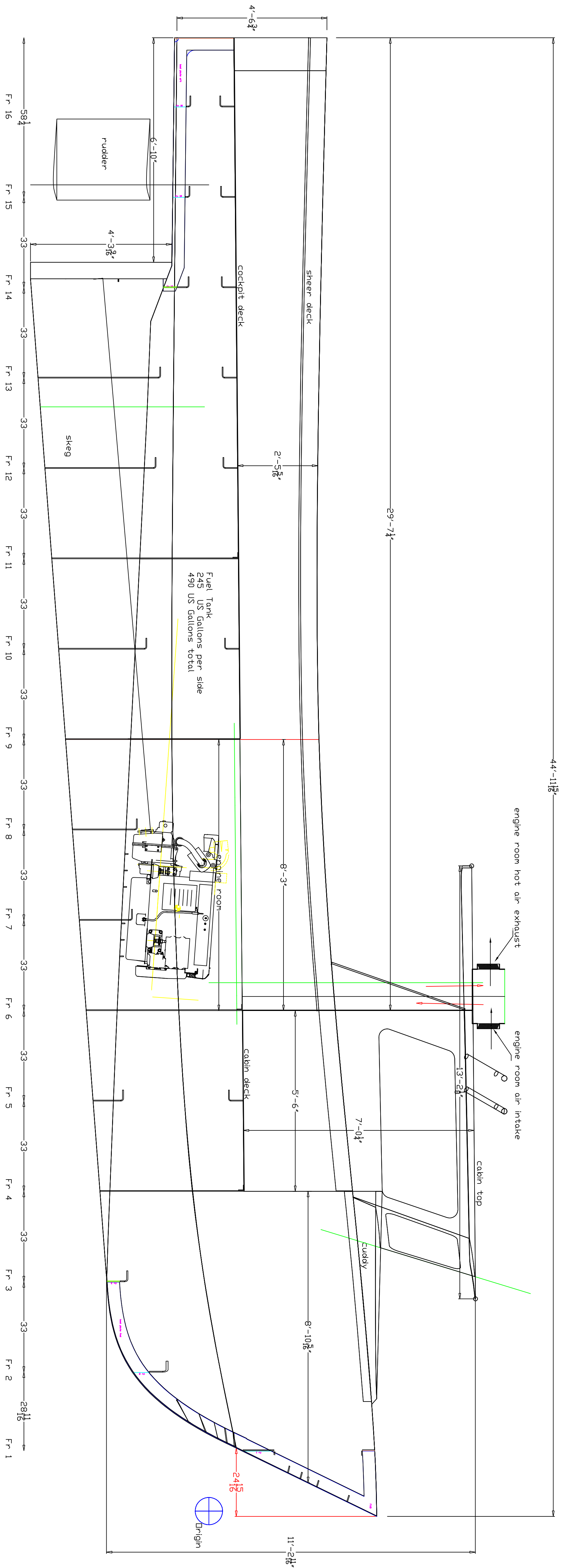


Plate List
Cope 45ft Lobster Boat
July 20 - 2017

1/4" plate	1 sheet	2 1/2" x 4ft x 20ft	5086 H116
1/2" plate	1 sheet	4 1/2" x 4ft x 20ft	5086 H116
3/8" plate	3 sheets	5 1/2" x 4ft x 20ft	5052 H32
	2 sheets	6 1/2" x 5ft x 20ft	5052 H32
	6 sheets	8 1/2" x 4ft x 20ft	5086 H116
	7 sheets	10 1/2" x 5ft x 20ft	5086 H116
	1 sheet	16 1/2" x 6ft x 10ft	5086 H116
1/4" plate	5 sheets	4 1/2" x 5ft x 20ft	5086 H116
	6 sheets	4 1/2" x 6ft x 20ft	5086 H116
3/8" plate	1 sheet	3 1/2" x 6ft x 8ft	5052 H32
	1 sheet	4 1/2" x 4ft x 20ft	5052 H32
	1 sheet	4 1/2" x 4ft x 12ft	5086 H116
	2 sheets	3 1/2" x 4ft x 20ft	5086 H116
	7 sheets	10 1/2" x 5ft x 20ft	5086 H116
	1 sheet	16 1/2" x 6ft x 20ft	5086 H116
	1 sheet	16 1/2" x 8ft x 20ft	5086 H116
Total # of plates = 45			